

**Selection - PR-AC 566 T**

Product Code	7PA5666
Requested Air Volume	8 327 m3/h
Requested Pressure	151 Pa
Air Volume	8 310 m3/h
Static Pressure	151 Pa
Total Pressure	204 Pa
Velocity Pressure	54 Pa
Outlet Velocity	9,37 m/s
SFP	0,28 W/l/s
Fan Total Efficiency	74,2 %
Fan Static Efficiency	54,8 %
Fan Speed	1000 rpm
Air Properties	1,22kg/m3/ 15°C/ 0m/ 50% RH
Motor Input Power	0,636 kW
Temperature Range	-15°C +70°C

**Construction Settings**

Arrangement	4
Discharge	LG-270
Motor Position	D

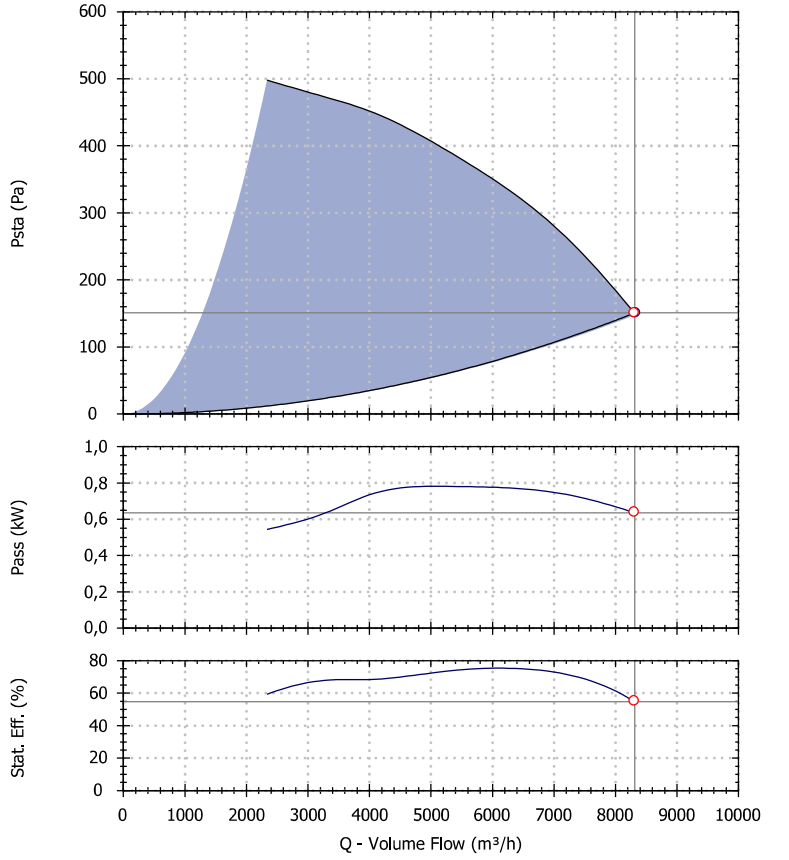
**Motor selection**

Electrical Supply	400/3/50
Motor Rating	1.10 kW
Enclosure/Class	55 / F
Poles number	6
Motor Speed	930 rpm
Full Load Current	4.20 A

**ERP Information**

ERP Compliance	Exempt
Type	-
Regulation	-
Category of measure	-

**Fan Performance**

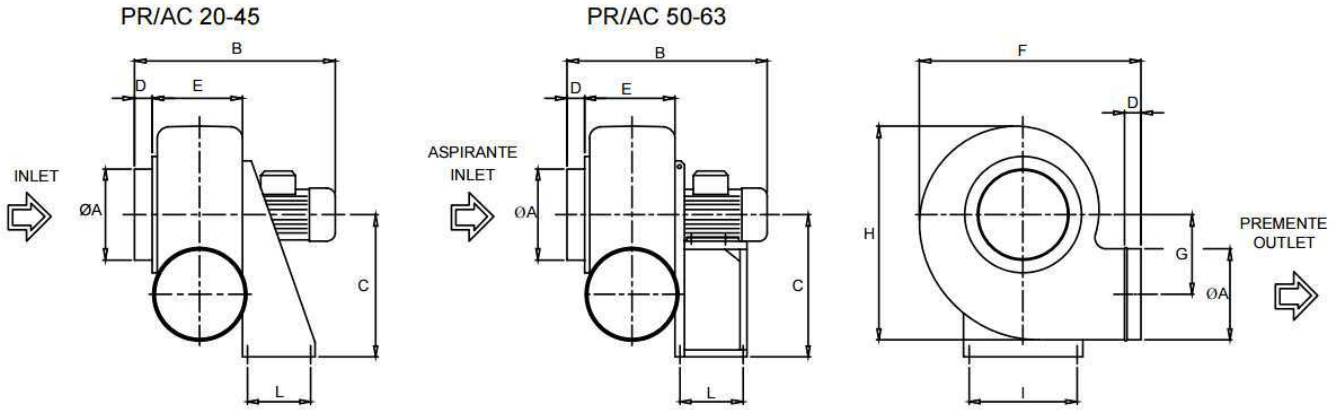


**Sound Performance**

Hz	63	125	250	500	1k	2k	4k	8k	Overall	
Lw	65	67	68	63	62	57	49	41	73	dB
Lw(A)	39	51	59	60	62	58	50	40	66	dB(A)
LpA @ 3m	18	30	39	39	41	38	29	19	46	dB(A)

Sounds spectra refers to Maico Italia measures performed in our laboratories according to 123. The values provided are just indicative of the situation and Maico Italia declines every responsibility in case different levels measured by our customers as the installation types and the environmental variables may increase/decrease these values.

Drawing and Dimensions - PR-AC 566 T



Key	B	C	D	E	F	G	H	I	kg	L	M	N	O	OA
Value [mm]	725	710	50	365	870	410	1045	289	130	237	590	-	170	450

Drawings are indicative of the size of the selected fan. These dimensions may vary, even without any explicit advice. To have more accurate information contact your local agency.

Electric Wire Connections

