

### Selection - PR-AC 356 T

Product Code	7PA3509
Requested Air Volume	2 361 m <sup>3</sup> /h
Requested Pressure	40,3 Pa
Air Volume	2 362 m <sup>3</sup> /h
Static Pressure	40,4 Pa
Total Pressure	67 Pa
Velocity Pressure	26,8 Pa
Outlet Velocity	6,63 m/s
SFP	0,10 W/l/s
Fan Total Efficiency	64,2 %
Fan Static Efficiency	38,6 %
Fan Speed	1000 rpm
Air Properties	1,22kg/m <sup>3</sup> / 15°C/ 0m/ 50% RH
Motor Input Power	0,069 kW
Temperature Range	-15°C +70°C

### Construction Settings

Arrangement	4
Discharge	LG-270
Motor Position	D

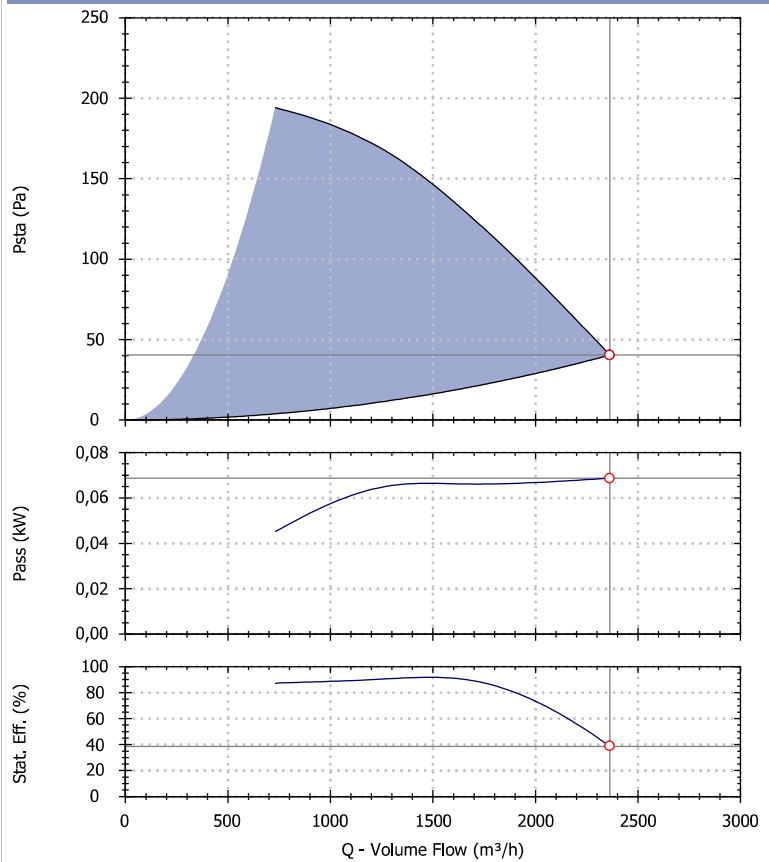
### Motor selection

Electrical Supply	400/3/50
Motor Rating	0.18 kW
Enclosure/Class	55 / F
Poles number	6
Motor Speed	850 rpm
Full Load Current	0.70 A

### ERP Information

ERP Compliance	Exempt
Type	
Regulation	-
Category of measure	-

### Fan Performance

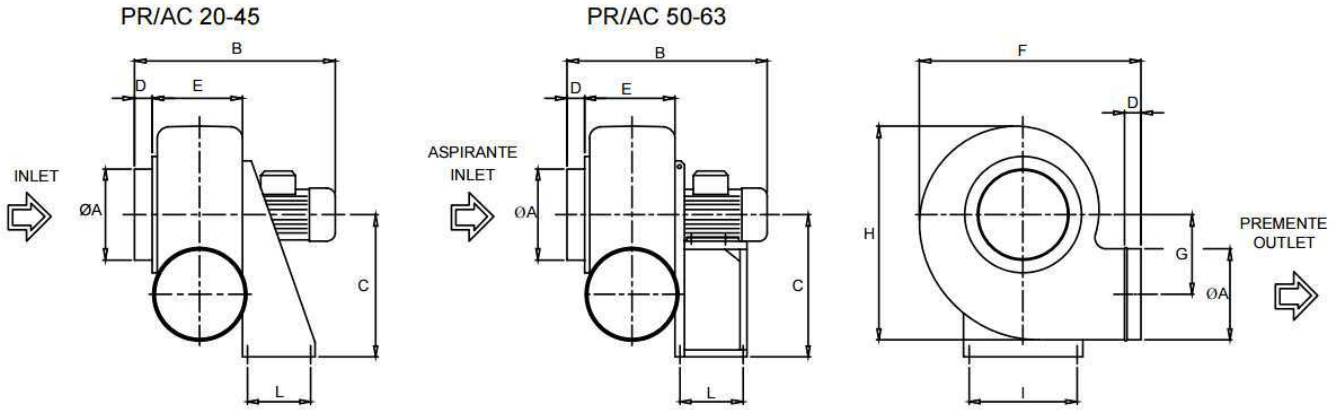


### Sound Performance

Hz	63	125	250	500	1k	2k	4k	8k	Overall	
Lw	52	57	52	50	49	44	36	28	60	dB
Lw(A)	26	41	43	47	49	45	37	27	53	dB(A)
LpA @ 3m	5	20	23	26	28	25	16	6	32	dB(A)

Sounds spectra refers to Maico Italia measures performed in our laboratories according to 123. The values provided are just indicative of the situation and Maico Italia declines every responsibility in case different levels measured by our customers as the installation types and the environmental variables may increase/decrease these values.

Drawing and Dimensions - PR-AC 356 T



Key	B	C	D	E	F	G	H	I	kg	L	M	N	O	OA
Value [mm]	520	445	40	220	600	260	700	345	38	150	150	330	170	280

Drawings are indicative of the size of the selected fan. These dimensions may vary, even without any explicit advice. To have more accurate information contact your local agency.

Electric Wire Connections

