

Selection - PR-AC 316 T

Product Code	7PA3229
Requested Air Volume	1 568 m ³ /h
Requested Pressure	28,4 Pa
Air Volume	1 571 m ³ /h
Static Pressure	28,4 Pa
Total Pressure	47,6 Pa
Velocity Pressure	19,1 Pa
Outlet Velocity	5,60 m/s
SFP	0,10 W/l/s
Fan Total Efficiency	46,1%
Fan Static Efficiency	27,6 %
Fan Speed	1000 rpm
Air Properties	1,22kg/m ³ / 15°C/ 0m/ 50% RH
Motor Input Power	0,045 kW
Temperature Range	-15°C +70°C

Construction Settings

Arrangement	4
Discharge	LG-270
Motor Position	D

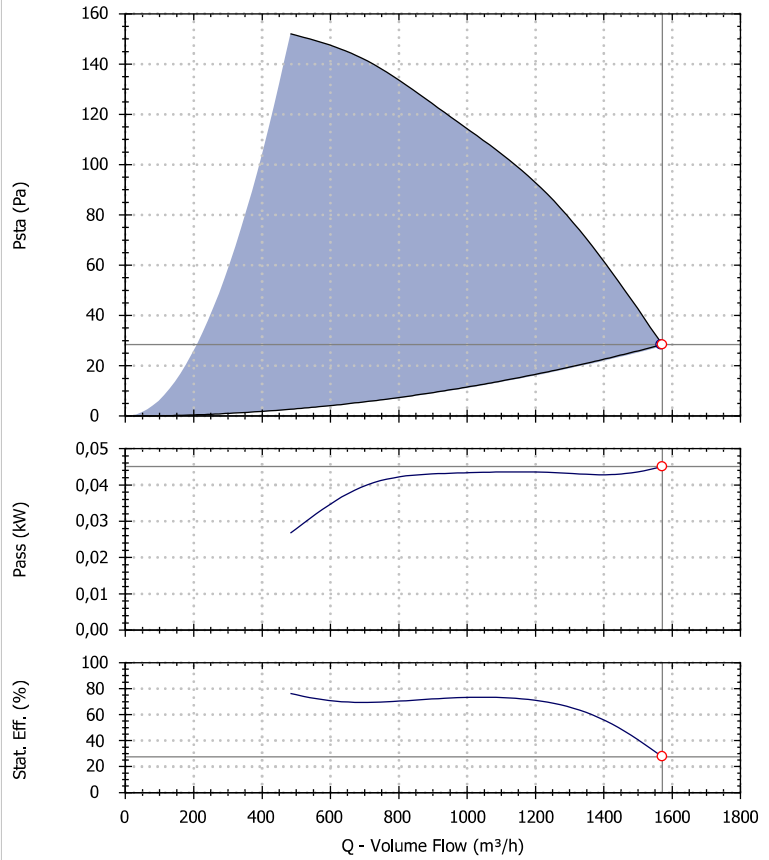
Motor selection

Electrical Supply	400/3/50
Motor Rating	0.18 kW
Enclosure/Class	55 / F
Poles number	6
Motor Speed	850 rpm
Full Load Current	0.70 A

ERP Information

ERP Compliance	Exempt
Type	
Regulation	-
Category of measure	-

Fan Performance

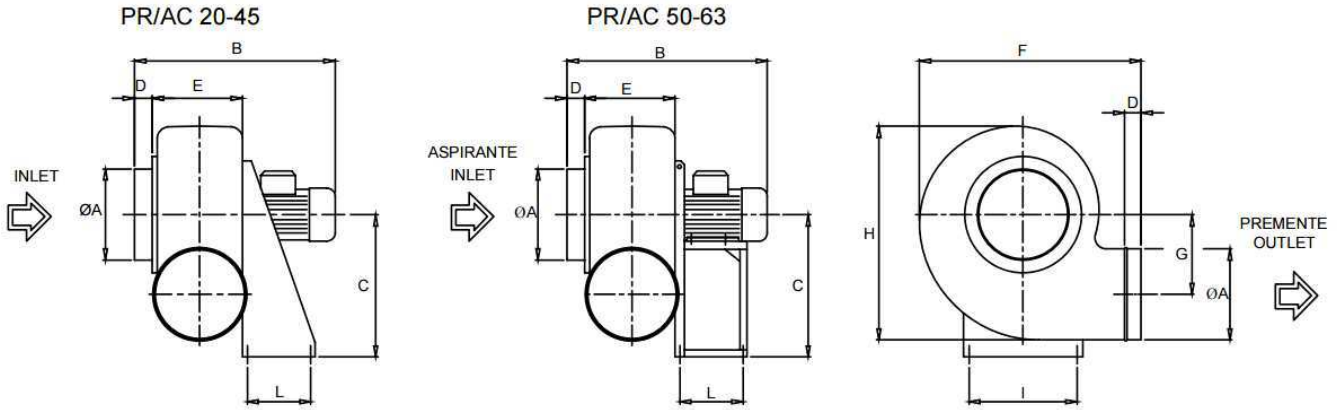


Sound Performance

Hz	63	125	250	500	1k	2k	4k	8k	Overall	
Lw	51	56	51	49	48	43	35	27	59	dB
Lw(A)	25	40	42	46	48	44	36	26	52	dB(A)
LpA @ 3m	4	19	22	25	27	24	15	5	31	dB(A)

Sounds spectra refers to Maico Italia measures performed in our laboratories according to 123. The values provided are just indicative of the situation and Maico Italia declines every responsibility in case different levels measured by our customers as the installation types and the environmental variables may increase/decrease these values.

Drawing and Dimensions - PR-AC 316 T



Key	B	C	D	E	F	G	H	I	kg	L	M	N	O	OA
Value [mm]	500	410	40	200	560	240	670	315	31	150	120	300	170	250

Drawings are indicative of the size of the selected fan. These dimensions may vary, even without any explicit advice. To have more accurate information contact your local agency.

Electric Wire Connections

