

Selection - PR-AC 314 T

Product Code	7PA3228
Requested Air Volume	2 355 m ³ /h
Requested Pressure	63 Pa
Air Volume	2 359 m ³ /h
Static Pressure	63 Pa
Total Pressure	106 Pa
Velocity Pressure	43,2 Pa
Outlet Velocity	8,41 m/s
SFP	0,23 W/l/s
Fan Total Efficiency	45,8 %
Fan Static Efficiency	27,2 %
Fan Speed	1500 rpm
Air Properties	1,22kg/m ³ / 15°C/ 0m/ 50% RH
Motor Input Power	0,152 kW
Temperature Range	-15°C +70°C

Construction Settings

Arrangement	4
Discharge	LG-270
Motor Position	D

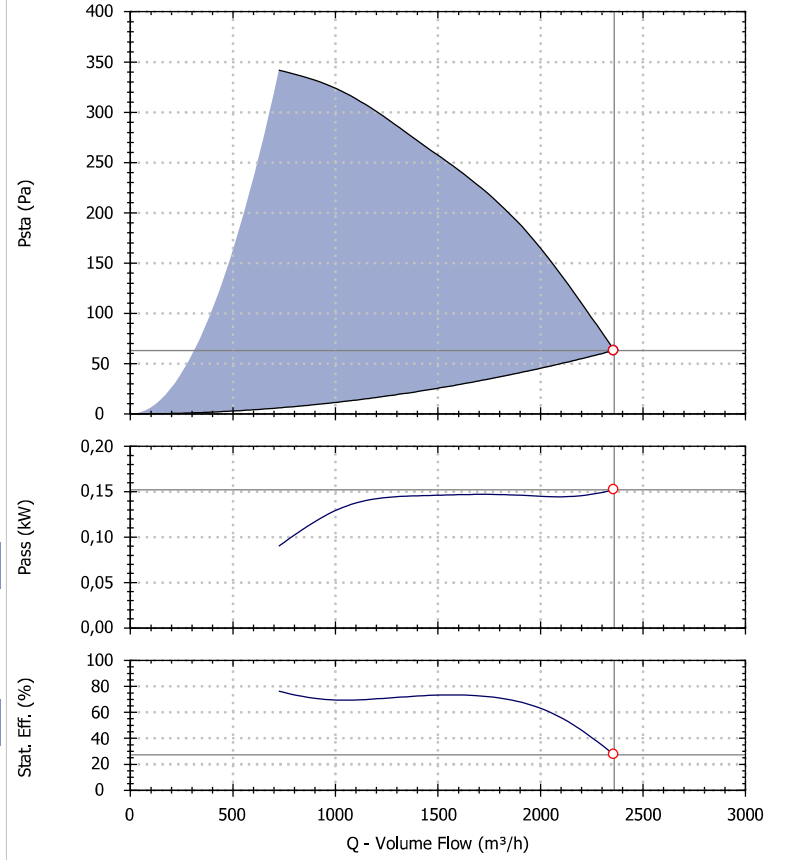
Motor selection

Electrical Supply	400/3/50
Motor Rating	0.25 kW
Enclosure/Class	55 / F
Poles number	4
Motor Speed	1340 rpm
Full Load Current	0.85 A

ERP Information

ERP Compliance	Exempt
Type	-
Regulation	-
Category of measure	-

Fan Performance

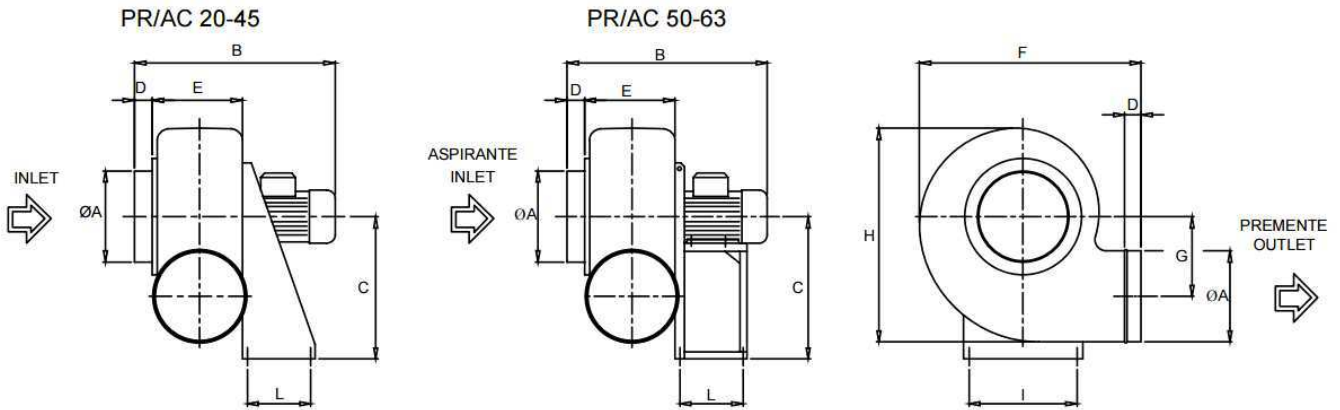


Sound Performance

Hz	63	125	250	500	1k	2k	4k	8k	Overall	
Lw	61	63	64	59	58	53	45	37	69	dB
Lw(A)	35	47	55	56	58	54	46	36	62	dB(A)
LpA @ 3m	14	26	35	35	37	34	25	15	42	dB(A)

Sounds spectra refers to Maico Italia measures performed in our laboratories according to 123. The values provided are just indicative of the situation and Maico Italia declines every responsibility in case different levels measured by our customers as the installation types and the environmental variables may increase/decrease these values.

Drawing and Dimensions - PR-AC 314 T



Key	B	C	D	E	F	G	H	I	kg	L	M	N	O	OA
Value [mm]	500	410	40	200	560	240	670	315	31	150	120	300	170	250

Drawings are indicative of the size of the selected fan. These dimensions may vary, even without any explicit advice. To have more accurate information contact your local agency.

Electric Wire Connections

