

### Selection - PR-AC ATX 406 T

|                       |  |
|-----------------------|--|
| Product Code          | 7PA4102                                  |
| Requested Air Volume  | 3 058 m <sup>3</sup> /h                  |
| Requested Pressure    | 59 Pa                                    |
| Air Volume            | 3 054 m <sup>3</sup> /h                  |
| Static Pressure       | 59 Pa                                    |
| Total Pressure        | 87 Pa                                    |
| Velocity Pressure     | 27,8 Pa                                  |
| Outlet Velocity       | 6,75 m/s                                 |
| SFP                   | 0,13 W/l/s                               |
| Fan Total Efficiency  | 68,4 %                                   |
| Fan Static Efficiency | 46,5 %                                   |
| Air Properties        | 1,22kg/m <sup>3</sup> / 15°C/ 0m/ 50% RH |
| Motor Input Power     | 0,107 kW                                 |
| Temperature Range     | -20°C 40°C                               |

### Construction Settings

|                |        |
|----------------|--------|
| Arrangement    | 4      |
| Discharge      | LG-270 |
| Motor Position | D      |

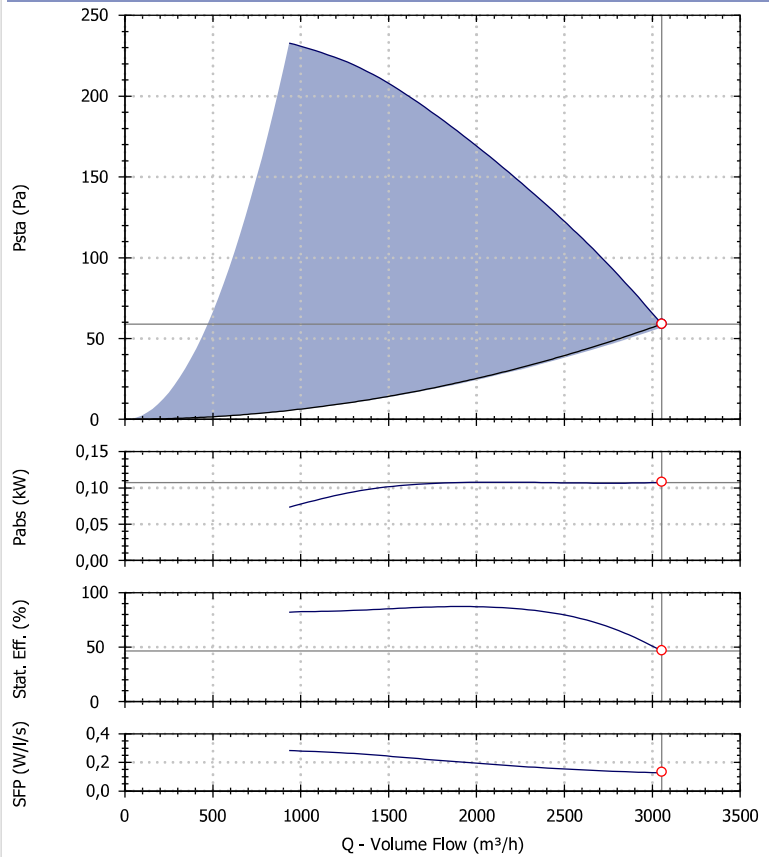
### Motor Selection

|                   |          |
|-------------------|----------|
| Electrical Supply | 400/3/50 |
| Motor Rating      | 0.25 kW  |
| Enclosure/Class   | 55 / F   |
| Poles number      | 6        |
| Motor Speed       | 870 rpm  |
| Full Load Current | 0.89 A   |

### ERP Information

|                     |        |
|---------------------|--------|
| ERP Compliance      | Exempt |
| Type                |        |
| Regulation          | -      |
| Category of measure | -      |

### Fan Performance



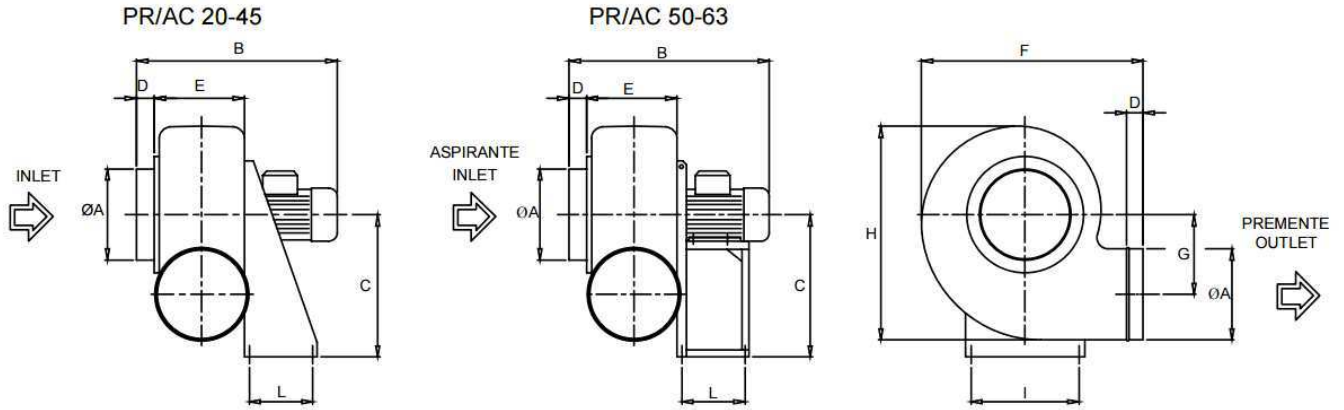
Performances refers to Maico Italia measures and may vary according to the installation type.

### Sound Performance

| Hz       | 63 | 125 | 250 | 500 | 1k | 2k | 4k | 8k | Overall |
|----------|----|-----|-----|-----|----|----|----|----|---------|
| Lw       | 58 | 63  | 58  | 56  | 55 | 50 | 42 | 34 | 66      |
| Lw(A)    | 32 | 47  | 49  | 53  | 55 | 51 | 43 | 33 | 59      |
| LpA @ 3m | 11 | 26  | 29  | 32  | 34 | 31 | 22 | 12 | 38      |

Sounds spectra refers to Maico Italia measures performed in our laboratories. The values provided are just indicative of the situation and Maico Italia declines every responsibility in case different levels measured by our customers as the installation types and the environmental variables may increase/decrease these values.

Drawing and Dimensions - PR-AC ATX 406 T



| Key        | B   | C   | D  | E   | F   | G   | H   | I   | kg | L   | M   | N   | O   | OA  |
|------------|-----|-----|----|-----|-----|-----|-----|-----|----|-----|-----|-----|-----|-----|
| Value [mm] | 550 | 495 | 40 | 240 | 675 | 290 | 790 | 325 | 38 | 170 | 150 | 365 | 170 | 315 |

Drawings are indicative of the size of the selected fan. These dimensions may vary, even without any explicit advice. To have more accurate information contact your local agency.

Electric Wire Connections

