

Selection - PR-AC ATX 354 T

Product Code	7PA3630
Requested Air Volume	3 514 m ³ /h
Requested Pressure	95 Pa
Air Volume	3 521 m ³ /h
Static Pressure	95 Pa
Total Pressure	155 Pa
Velocity Pressure	60 Pa
Outlet Velocity	9,88 m/s
SFP	0,24 W/l/s
Fan Total Efficiency	65,4 %
Fan Static Efficiency	40,3 %
Air Properties	1,22kg/m ³ / 15°C/ 0m/ 50% RH
Motor Input Power	0,232 kW
Temperature Range	-20°C 40°C

Construction Settings

Arrangement	4
Discharge	LG-270
Motor Position	D

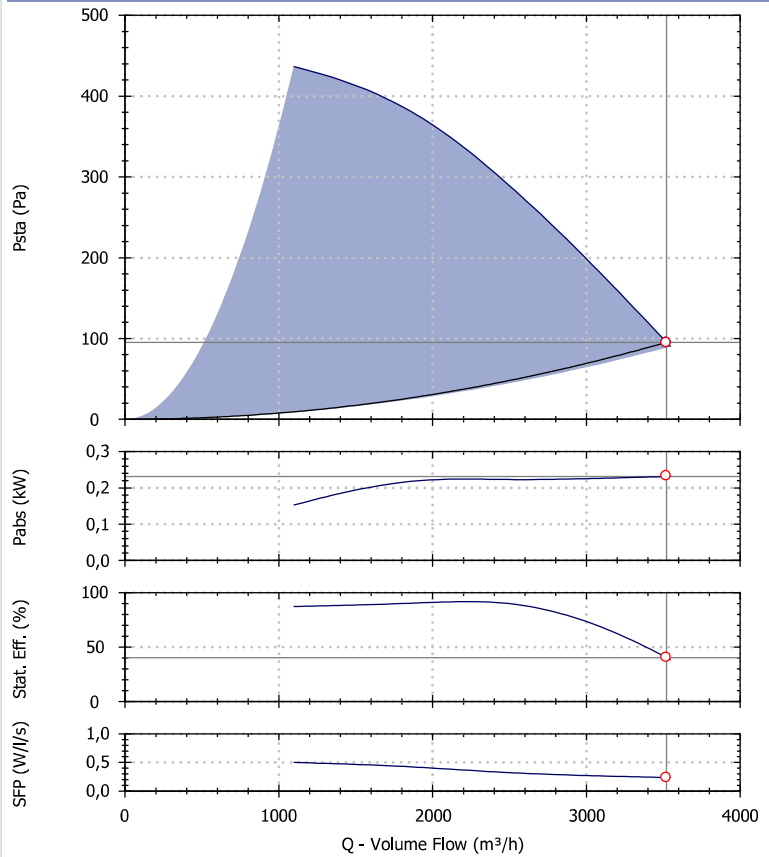
Motor Selection

Electrical Supply	400/3/50
Motor Rating	0.37 kW
Enclosure/Class	55 / F
Poles number	4
Motor Speed	1370 rpm
Full Load Current	1.22 A

ERP Information

ERP Compliance	Exempt
Type	
Regulation	-
Category of measure	-

Fan Performance



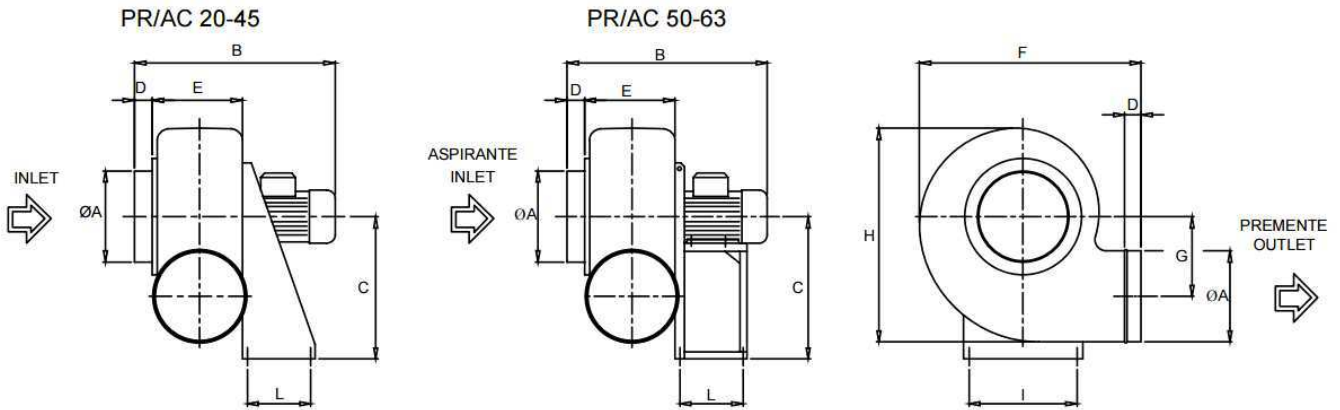
Performances refers to Maico Italia measures and may vary according to the installation type.

Sound Performance

Hz	63	125	250	500	1k	2k	4k	8k	Overall
Lw	63	65	66	61	60	55	47	39	71
Lw(A)	37	49	57	58	60	56	48	38	64
LpA @ 3m	16	28	37	37	39	36	27	17	44

Sounds spectra refers to Maico Italia measures performed in our laboratories. The values provided are just indicative of the situation and Maico Italia declines every responsibility in case different levels measured by our customers as the installation types and the environmental variables may increase/decrease these values.

Drawing and Dimensions - PR-AC ATX 354 T



Key	B	C	D	E	F	G	H	I	kg	L	M	N	O	OA
Value [mm]	520	445	40	220	600	260	700	345	38	150	150	330	170	280

Drawings are indicative of the size of the selected fan. These dimensions may vary, even without any explicit advice. To have more accurate information contact your local agency.

Electric Wire Connections

