

# AC axial fan

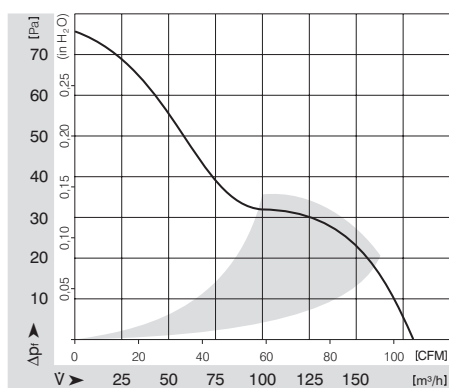
Series 5900 127 x 127 x 38



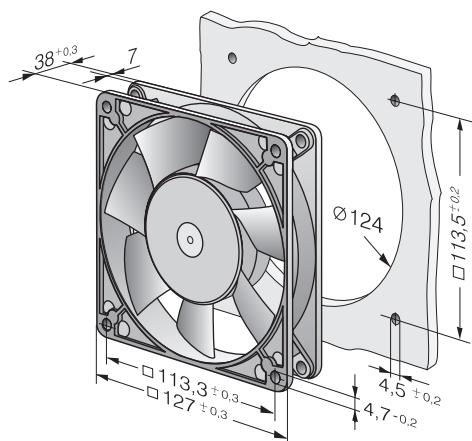
- **General description:** AC fan with internal rotor shaded-pole motor.
- **Impeller material:** Fiberglass-reinforced PA plastic
- **Housing material:** Metal

Nominal data		Voltage	Frequency	Air flow	Speed	Power consumption	Sound level	Sound pressure level	Ambient temperature	L10 service life at 40 °C	L10 service life at max. temp.	Weight
Type	Motor	VAC	Hz	m <sup>3</sup> /h	1/min	W	Bel	dB(A)	°C	h	h	kg
5958	--	230	50	180	2750	18.0	5.5	44	-30 .. 60	40000	25000	0.570
Subject to modification												

## Characteristic: Pressure over air flow



## Specific drawing



# AC axial fan

Series 5900 127 x 127 x 38

## Technical description

- **General description:** AC fan with internal rotor shaded-pole motor.
- **Housing material:** Metal
- **Direction of rotation:** Left, looking at rotor
- **Electrical connection:** 2 flat plugs 2.8 x 0.8 mm. Fan housing with grounding lug and tapping screw M4 x 6 (TORX).
- **Approvals:** VDE, CSA, UL, CE
- **Impeller material:** Fiberglass-reinforced PA plastic
- **Bearings:** Ball bearings
- **Direction of air flow:** Air exhaust over bars
- **Motor protection:** Protected from overload using impedance protection

## Contact

### ebm-papst St. Georgen GmbH & Co. KG

Hermann-Papst-Straße 1

D-78112 St. Georgen

Phone +49 (0) 7724 / 81-0

Fax +49 (0) 7724 / 81-1309

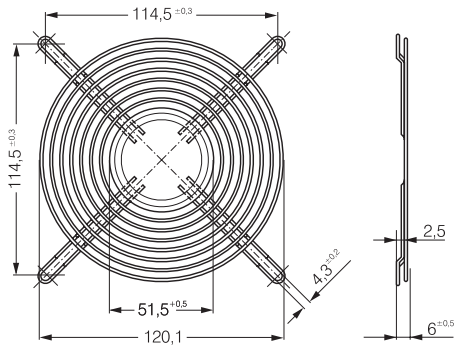
info2@de.ebmpapst.com

www.ebmpapst.com

# Guard grille

Order No.

LZ35



## Technical description

- **General description:** Guard grille in accordance with EN 294

- **Material:** Rust-protected steel wire

## Contact

**ebm-papst St. Georgen GmbH & Co. KG**

Hermann-Papst-Straße 1

D-78112 St. Georgen

Phone +49 (0) 7724 / 81-0

Fax +49 (0) 7724 / 81-1309

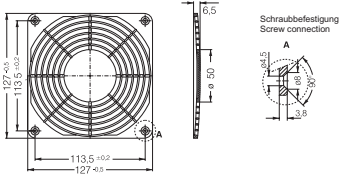
info2@de.ebmpapst.com

www.ebmpapst.com

# Guard grille

Order No.

LZ33-1



## Technical description

- **General description:** Guard grille in accordance with EN 294

- **Material:** Fiberglass-reinforced plastic

## Contact

**ebm-papst St. Georgen GmbH & Co. KG**

Hermann-Papst-Straße 1

D-78112 St. Georgen

Phone +49 (0) 7724 / 81-0

Fax +49 (0) 7724 / 81-1309

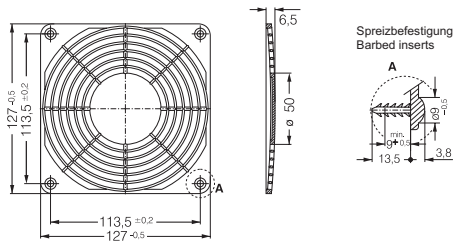
info2@de.ebmpapst.com

www.ebmpapst.com

# Guard grille

Order No.

LZ33-2



## Technical description

- **General description:** Guard grille in accordance with EN 294

- **Material:** Fiberglass-reinforced plastic

## Contact

**ebm-papst St. Georgen GmbH & Co. KG**

Hermann-Papst-Straße 1

D-78112 St. Georgen

Phone +49 (0) 7724 / 81-0

Fax +49 (0) 7724 / 81-1309

info2@de.ebmpapst.com

www.ebmpapst.com

## Screw clip

Order No.

LZ210



### Technical description

- **General description:** For mounting fans using a tapping screw 6-32 UNC or 3.5 DIN 7970
- **Note:** In addition to the accessories and mounting parts listed here, ebm-papst supplies a wide variety of other resources for fan operation, some of which are very specialized. The sales experts at ebm-papst will be happy to assist you in your inquiries concerning fan assembly and application.
- **Material:** Hardened steel

### Contact

**ebm-papst St. Georgen GmbH & Co. KG**  
Hermann-Papst-Straße 1  
D-78112 St. Georgen  
Phone +49 (0) 7724 / 81-0  
Fax +49 (0) 7724 / 81-1309  
info2@de.ebmpapst.com  
www.ebmpapst.com