

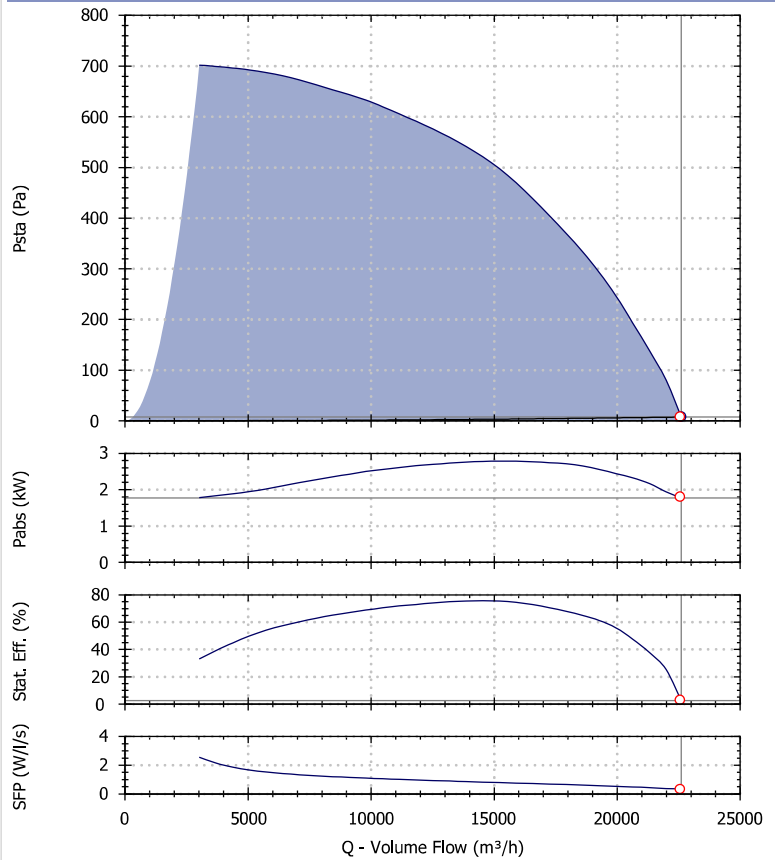
Selection - FCP 806 T 22500 3,0kW

Product Code	1FC1800
Requested Air Volume	22 618 m ³ /h
Requested Pressure	7,50 Pa
Air Volume	22 601 m ³ /h
Static Pressure	7,49 Pa
Total Pressure	156 Pa
Velocity Pressure	149 Pa
Outlet Velocity	15,62 m/s
SFP	0,34 W/l/s
Fan Total Efficiency	55,3 %
Fan Static Efficiency	2,6 %
Air Properties	1,22kg/m ³ / 15°C/ 0m/ 50% RH
Fan Absorbed Power	1,77 kW
Temperature Range	-20°C +80°C
Fan Energy Index (FEI)	0,89

Motor Selection

Electrical Supply	400/3/50
Motor Rating	3.00 kW
Enclosure/Class	55 / F
Frame Size	132
Poles number	6
Motor Speed	900 rpm
Full Load Current	7.0 A

Fan Performance



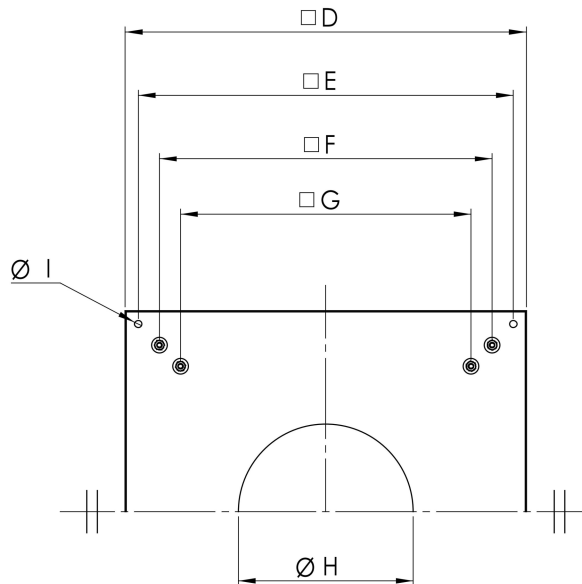
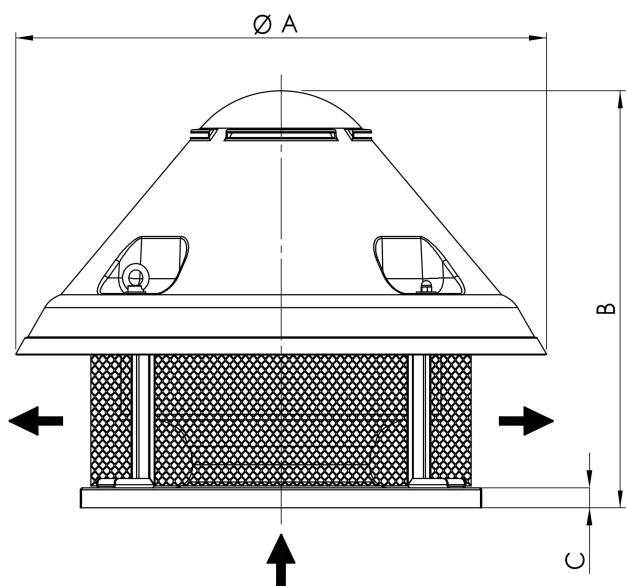
Performances refers to Maico Italia measures and may vary according to the installation type.

Sound Performance

Hz	63	125	250	500	1k	2k	4k	8k	Overall
Lw	68	83	85	88	88	90	77	70	95
Lw(A)	42	67	76	85	88	91	78	69	94
LpA @ 3m	21	46	56	64	67	71	57	48	73

Sounds spectra refers to Maico Italia measures performed in our laboratories. The values provided are just indicative of the situation and Maico Italia declines every responsibility in case different levels measured by our customers as the installation types and the environmental variables may increase/decrease these values.

Drawing and Dimensions - FCP 806 T 22500 3,0kW

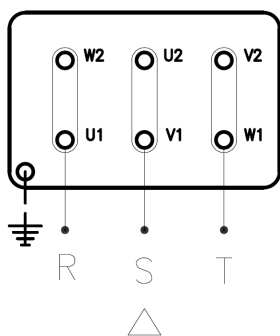


Key	(Kg)	B	C	D	E	F	G	OA	OH	OI
Value [mm]	220	1150	38	1100	1030	895	785	1400	470	14

Drawings are indicative of the size of the selected fan. These dimensions may vary, even without any explicit advice. To have more accurate information contact your local agency.

Electric Wire Connections

230 V/3 Ph/50 Hz



400 V/3 Ph/50 Hz

