

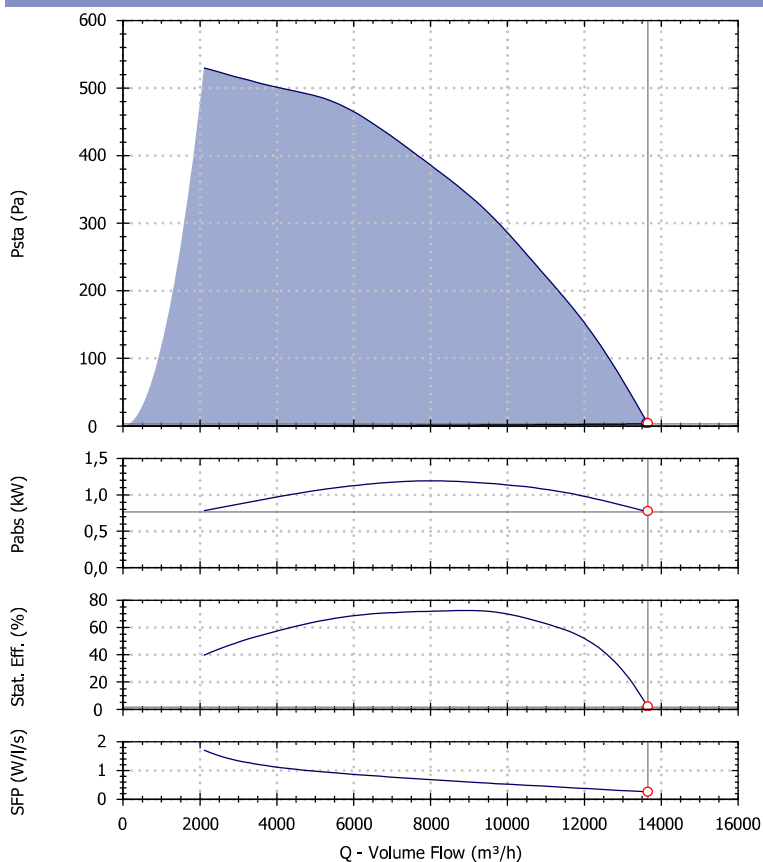
Selection - FCP 636 T 13700 1,1kW

Product Code	1FC1630
Requested Air Volume	13 636 m ³ /h
Requested Pressure	3,18 Pa
Air Volume	13 654 m ³ /h
Static Pressure	3,19 Pa
Total Pressure	91 Pa
Velocity Pressure	87 Pa
Outlet Velocity	11,96 m/s
SFP	0,26 W/l/s
Fan Total Efficiency	44,8 %
Fan Static Efficiency	1,6 %
Air Properties	1,22kg/m ³ / 15°C/ 0m/ 50% RH
Fan Absorbed Power	0,766 kW
Temperature Range	-20°C +80°C
Fan Energy Index (FEI)	0,93

Motor Selection

Electrical Supply	400/3/50
Motor Rating	1.10 kW
Enclosure/Class	55 / F
Frame Size	90L
Poles number	6
Motor Speed	900 rpm
Full Load Current	2.9 A

Fan Performance



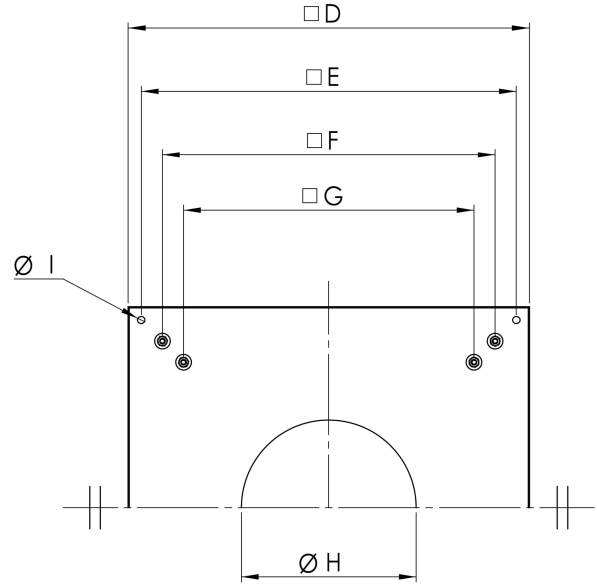
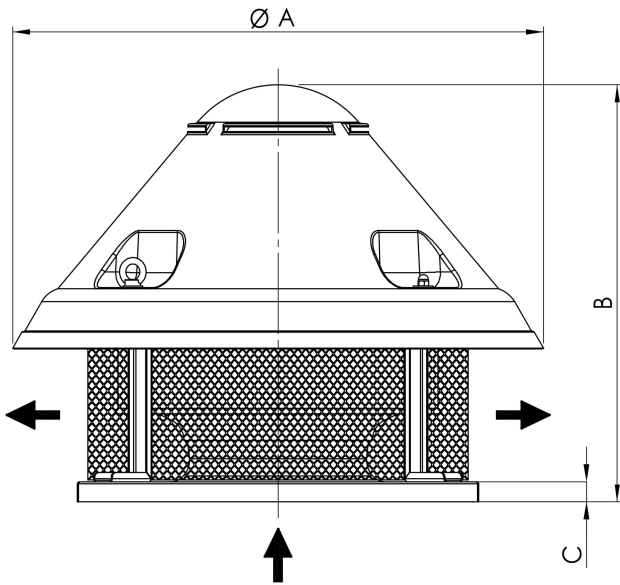
Performances refers to Maico Italia measures and may vary according to the installation type.

Sound Performance

Hz	63	125	250	500	1k	2k	4k	8k	Overall
Lw	57	78	80	83	80	81	78	66	88
Lw(A)	31	62	71	80	80	82	79	65	87
LpA @ 3m	10	41	51	59	59	62	58	44	66

Sounds spectra refers to Maico Italia measures performed in our laboratories. The values provided are just indicative of the situation and Maico Italia declines every responsibility in case different levels measured by our customers as the installation types and the environmental variables may increase/decrease these values.

Drawing and Dimensions - FCP 636 T 13700 1,1kW

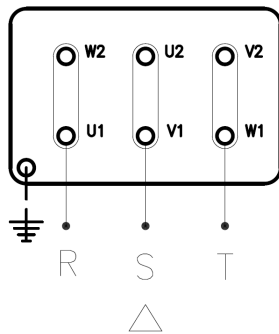


Key	(Kg)	B	C	D	E	F	G	OA	OH	OI
Value [mm]	120	930	418	930	870	775	665	1100	418	14

Drawings are indicative of the size of the selected fan. These dimensions may vary, even without any explicit advice. To have more accurate information contact your local agency.

Electric Wire Connections

230 V/3 Ph/50 Hz



400 V/3 Ph/50 Hz

