

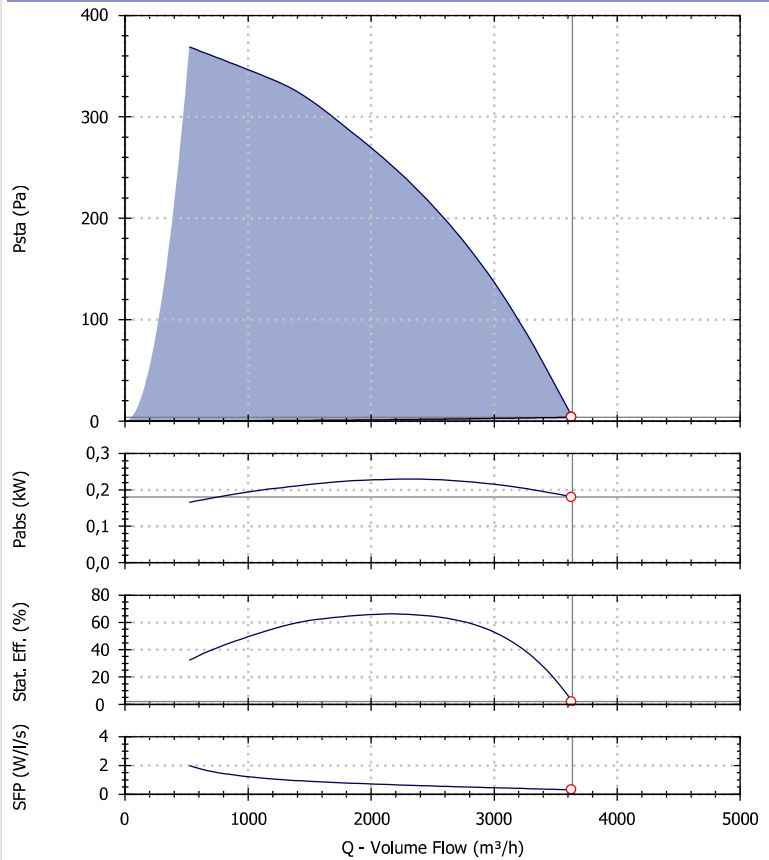
**Selection - FCP 354 T 3600 0,25kW**

|                        |  |
|------------------------|--|
| Product Code           | 1FC1350                                  |
| Requested Air Volume   | 3 630 m <sup>3</sup> /h                  |
| Requested Pressure     | 3,75 Pa                                  |
| Air Volume             | 3 635 m <sup>3</sup> /h                  |
| Static Pressure        | 3,76 Pa                                  |
| Total Pressure         | 57 Pa                                    |
| Velocity Pressure      | 53 Pa                                    |
| Outlet Velocity        | 9,35 m/s                                 |
| SFP                    | 0,31 W/l/s                               |
| Fan Total Efficiency   | 31,9 %                                   |
| Fan Static Efficiency  | 2,1 %                                    |
| Air Properties         | 1,22kg/m <sup>3</sup> / 15°C/ 0m/ 50% RH |
| Fan Absorbed Power     | 0,181 kW                                 |
| Temperature Range      | -20°C +80°C                              |
| Fan Energy Index (FEI) | 0,85                                     |

**Motor Selection**

|                   |          |
|-------------------|----------|
| Electrical Supply | 400/3/50 |
| Motor Rating      | 0.25 kW  |
| Enclosure/Class   | 55 / F   |
| Frame Size        | 71M      |
| Poles number      | 4        |
| Motor Speed       | 1400 rpm |
| Full Load Current | 0.8 A    |

**Fan Performance**



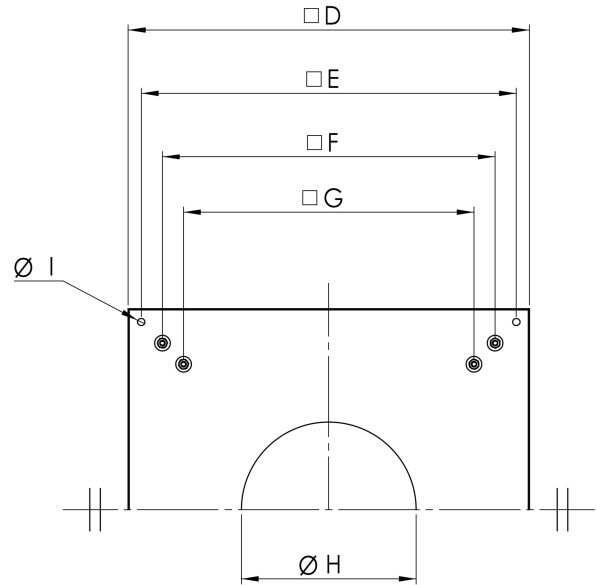
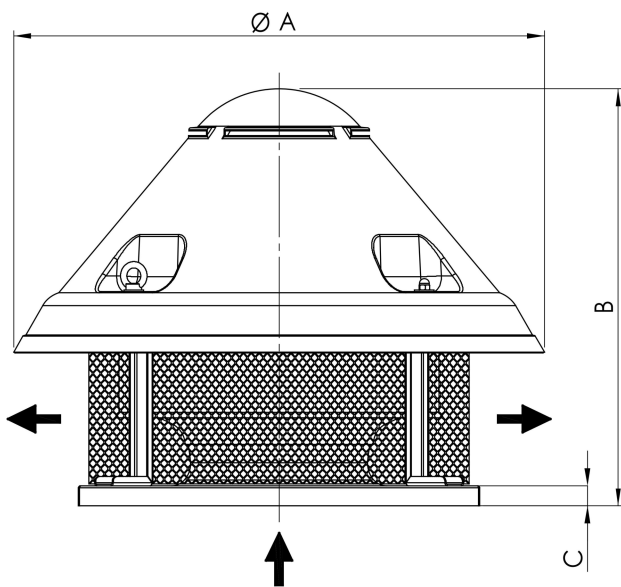
Performances refers to Maico Italia measures and may vary according to the installation type.

**Sound Performance**

| Hz       | 63 | 125 | 250 | 500 | 1k | 2k | 4k | 8k | Overall |
|----------|----|-----|-----|-----|----|----|----|----|---------|
| Lw       | 46 | 70  | 72  | 75  | 76 | 73 | 72 | 66 | 81      |
| Lw(A)    | 20 | 54  | 63  | 72  | 76 | 74 | 73 | 65 | 80      |
| LpA @ 3m | -  | 33  | 43  | 51  | 55 | 54 | 52 | 44 | 60      |

Sounds spectra refers to Maico Italia measures performed in our laboratories. The values provided are just indicative of the situation and Maico Italia declines every responsibility in case different levels measured by our customers as the installation types and the environmental variables may increase/decrease these values.

Drawing and Dimensions - FCP 354 T 3600 0,25kW

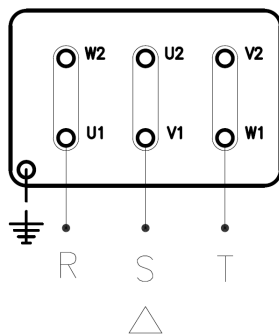


| Key        | (Kg) | B   | C   | D   | E   | F | G   | OA  | OH  | OI |
|------------|------|-----|-----|-----|-----|---|-----|-----|-----|----|
| Value [mm] | 30   | 630 | 247 | 500 | 450 | - | 370 | 755 | 237 | 12 |

Drawings are indicative of the size of the selected fan. These dimensions may vary, even without any explicit advice. To have more accurate information contact your local agency.

Electric Wire Connections

230 V/3 Ph/50 Hz



400 V/3 Ph/50 Hz

