

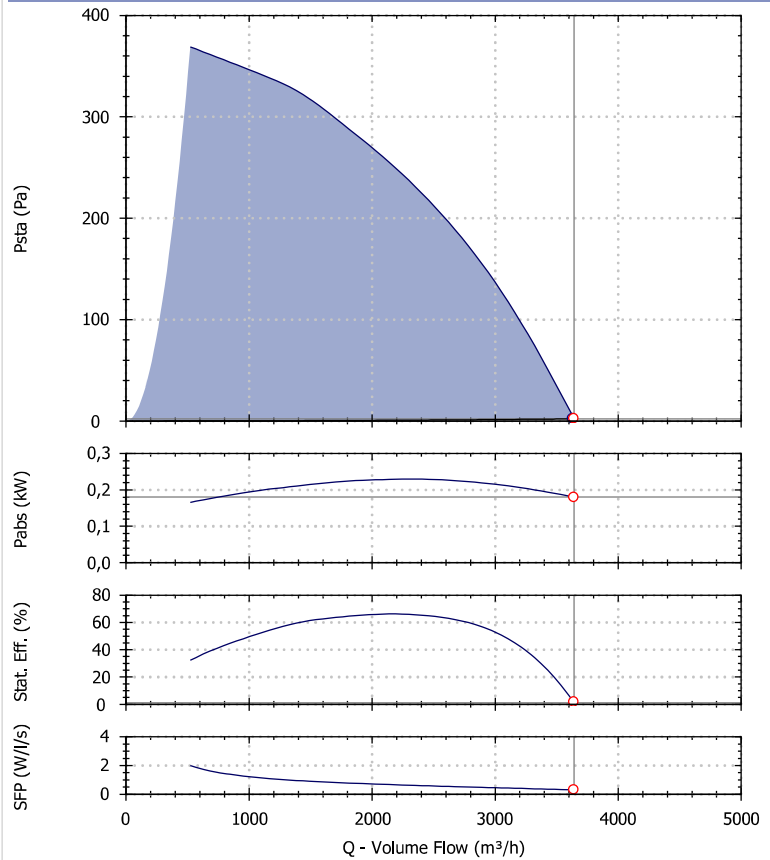
Selection - FCP 354 M 3600 0,25kW

Product Code	1FC1351
Requested Air Volume	3 635 m ³ /h
Requested Pressure	2,12 Pa
Air Volume	3 642 m ³ /h
Static Pressure	2,13 Pa
Total Pressure	56 Pa
Velocity Pressure	54 Pa
Outlet Velocity	9,37 m/s
SFP	0,31 W/l/s
Fan Total Efficiency	31,3 %
Fan Static Efficiency	1,2 %
Air Properties	1,22kg/m ³ / 15°C/ 0m/ 50% RH
Fan Absorbed Power	0,180 kW
Temperature Range	-20°C +80°C
Fan Energy Index (FEI)	0,84

Motor Selection

Electrical Supply	230/1/50
Motor Rating	0.25 kW
Enclosure/Class	55 / F
Frame Size	71M
Poles number	4
Motor Speed	1400 rpm
Full Load Current	2.4 A

Fan Performance



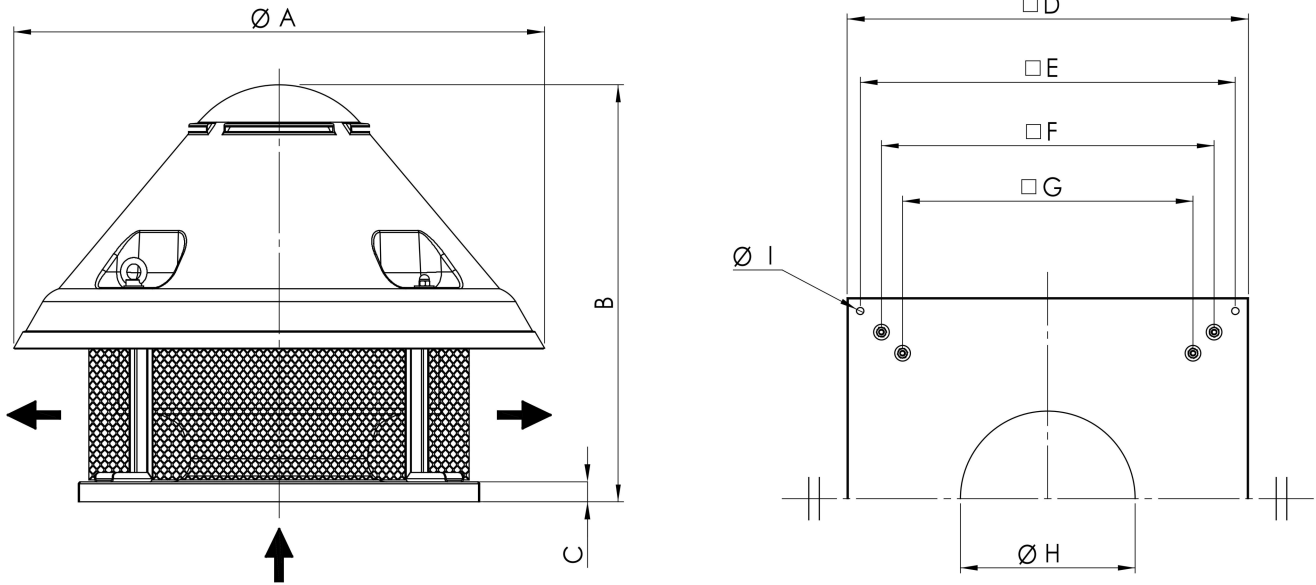
Performances refers to Maico Italia measures and may vary according to the installation type.

Sound Performance

Hz	63	125	250	500	1k	2k	4k	8k	Overall
Lw	46	70	72	75	76	73	72	66	81
Lw(A)	20	54	63	72	76	74	73	65	80
LpA @ 3m	-	33	43	51	55	54	52	44	60

Sounds spectra refers to Maico Italia measures performed in our laboratories. The values provided are just indicative of the situation and Maico Italia declines every responsibility in case different levels measured by our customers as the installation types and the environmental variables may increase/decrease these values.

Drawing and Dimensions - FCP 354 M 3600 0,25kW



Key	(Kg)	B	C	D	E	F	G	OA	OH	OI
Value [mm]	30	630	247	500	450	-	370	755	237	12

Drawings are indicative of the size of the selected fan. These dimensions may vary, even without any explicit advice. To have more accurate information contact your local agency.

Electric Wire Connections

