

Selection - FC 808 T Fan Performance

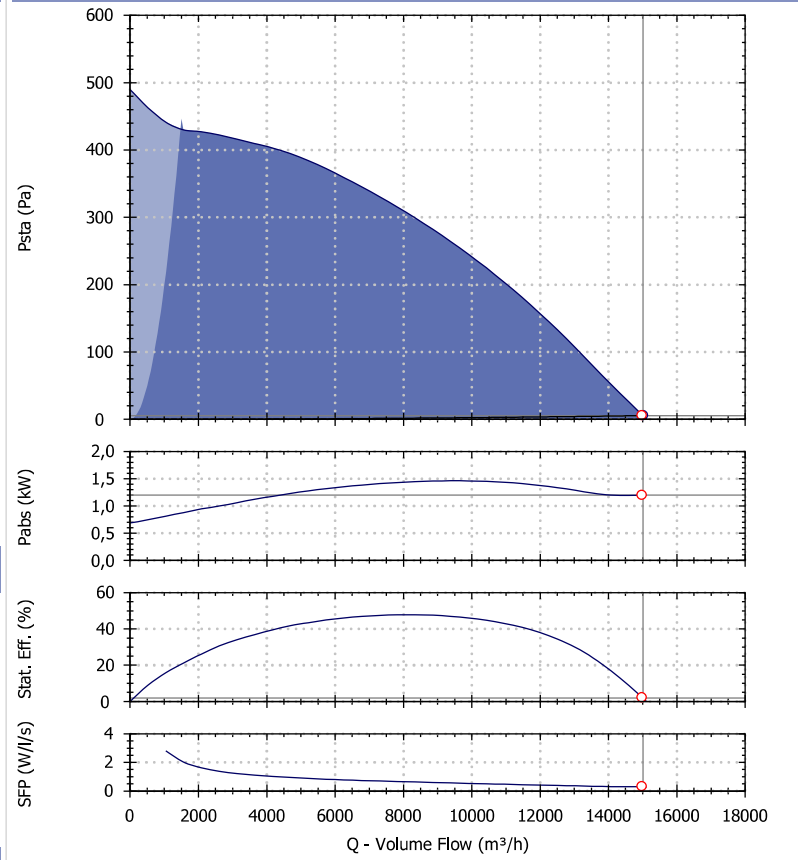
Product Code	1FC8080
Requested Air Volume	15 007 m ³ /h
Requested Pressure	5,49 Pa
Air Volume	15 005 m ³ /h
Static Pressure	5,49 Pa
Total Pressure	47,5 Pa
Velocity Pressure	42,0 Pa
Outlet Velocity	8,29 m/s
SFP	0,29 W/l/s
Fan Total Efficiency	16,5 %
Fan Static Efficiency	1,9 %
Air Properties	1,22kg/m ³ / 15°C/ 0m/ 50% RH
Motor Input Power	1,20 kW
Temperature Range	+100°C
Fan Energy Index (FEI)	0,97

Motor Selection

Electrical Supply	400/3/50
Motor Rating	1.50 kW
Enclosure/Class	55 / F
Frame Size	112M
Poles number	8
Motor Speed	720 rpm
Full Load Current	4.80 A

ERP Information

ERP Compliance	Exempt
Type	-
Regulation	-
Category of measure	-



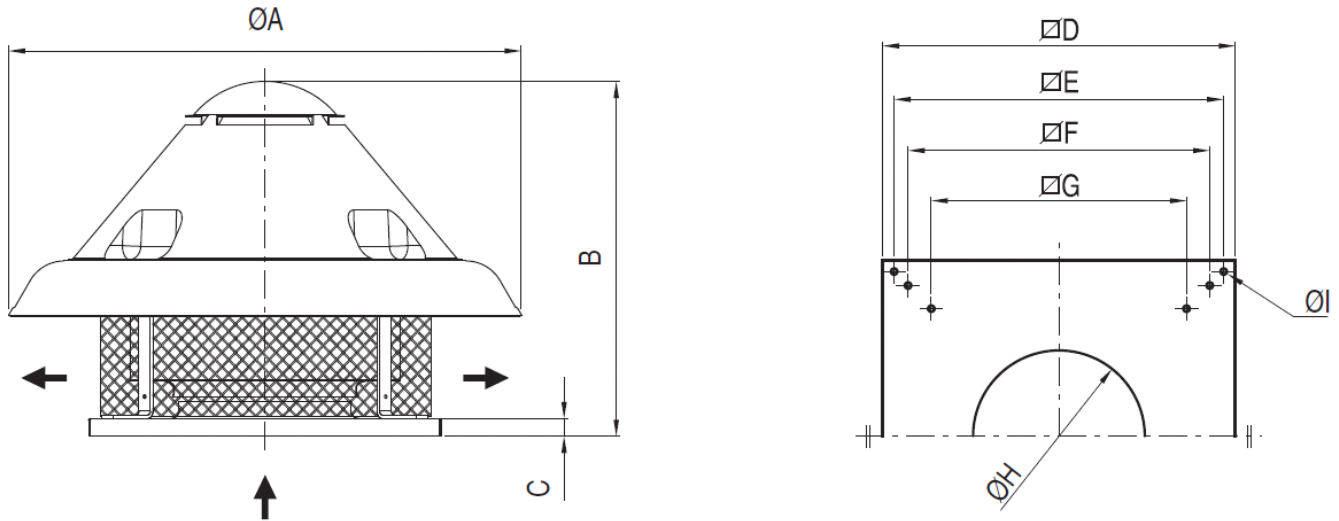
Performances refers to Maico Italia measures and may vary according to the installation type.

Sound Performance

Hz	63	125	250	500	1k	2k	4k	8k	Overall
Lw	55	70	76	80	79	81	79	70	86
Lw(A)	29	54	67	77	79	82	80	69	86
LpA @ 3m	8	33	47	56	58	62	59	48	66

Sounds spectra refers to Maico Italia measures performed in our laboratories. The values provided are just indicative of the situation and Maico Italia declines every responsibility in case different levels measured by our customers as the installation types and the environmental variables may increase/decrease these values.

Drawing and Dimensions - FC 808 T

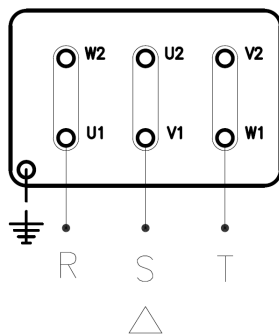


Key	ΦA	B	C	D	E	F	G	ΦH	ΦI	kg
Value [mm]	1300	880	38	930	870	775	665	530	14	118

Drawings are indicative of the size of the selected fan. These dimensions may vary, even without any explicit advice. To have more accurate information contact your local agency.

Electric Wire Connections

230 V/3 Ph/50 Hz



400 V/3 Ph/50 Hz

