

## Selection - FC 758 T

Product Code	1FC7681
Requested Air Volume	9 737 m <sup>3</sup> /h
Requested Pressure	1,63 Pa
Air Volume	9 819 m <sup>3</sup> /h
Static Pressure	1,65 Pa
Total Pressure	24,9 Pa
Velocity Pressure	23,3 Pa
Outlet Velocity	6,17 m/s
SFP	0,23 W/l/s
Fan Total Efficiency	10,8 %
Fan Static Efficiency	0,7 %
Air Properties	1,22kg/m <sup>3</sup> / 15°C/ 0m/ 50% RH
Fan Absorbed Power	0,626 kW
Temperature Range	+100°C
Fan Energy Index (FEI)	1,28

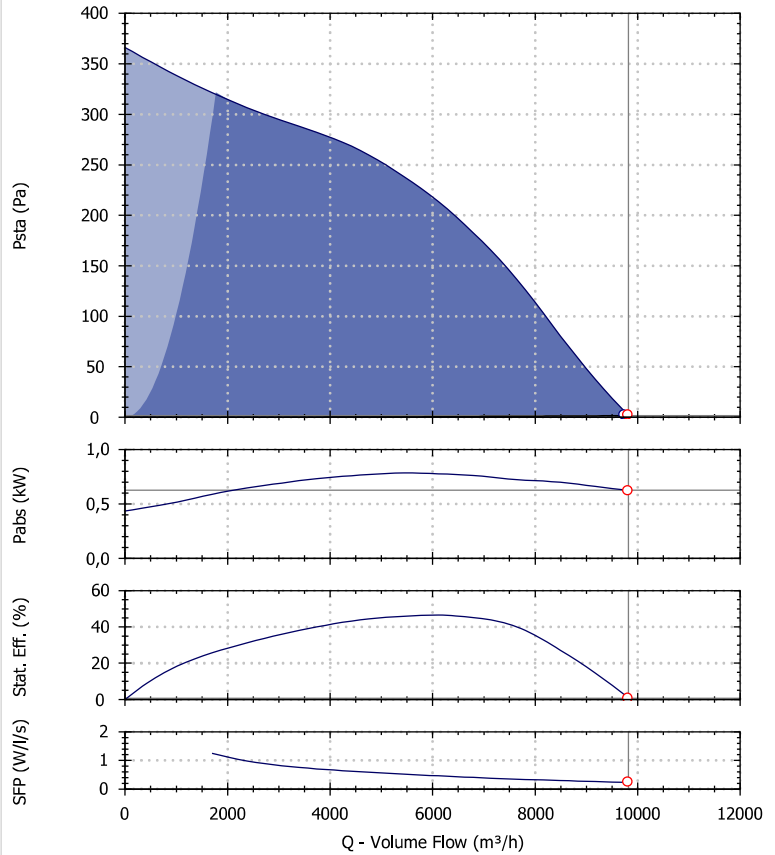
## Motor Selection

Electrical Supply	400/3/50
Motor Rating	1.10 kW
Enclosure/Class	55 / F
Frame Size	100L
Poles number	8
Motor Speed	720 rpm
Full Load Current	4.00 A

## ERP Information

ERP Compliance	Exempt
Type	-
Regulation	-
Category of measure	-

## Fan Performance

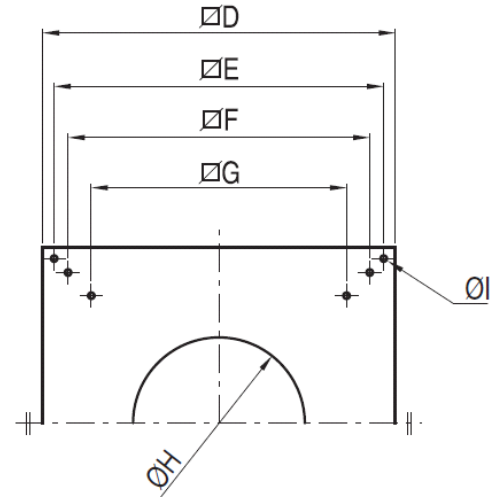
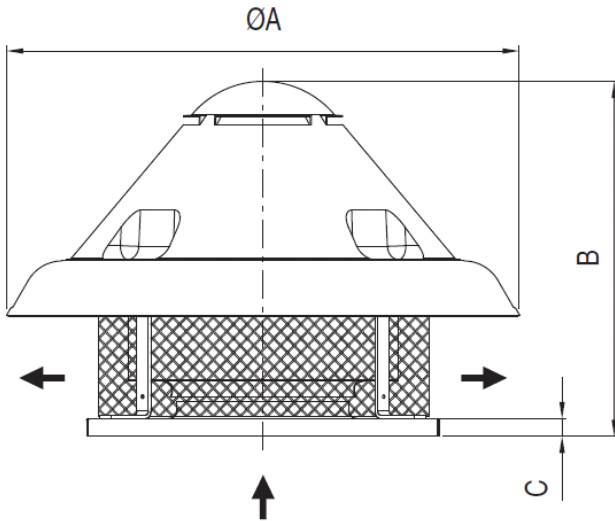


## Sound Performance

Hz	63	125	250	500	1k	2k	4k	8k	Overall
Lw	52	64	71	74	75	73	68	60	80
Lw(A)	26	48	62	71	75	74	69	59	79
LpA @ 3m	5	27	42	50	54	54	48	38	59

Sounds spectra refers to Maico Italia measures performed in our laboratories. The values provided are just indicative of the situation and Maico Italia declines every responsibility in case different levels measured by our customers as the installation types and the environmental variables may increase/decrease these values.

Drawing and Dimensions - FC 758 T

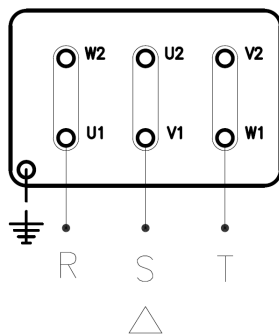


Key	ΦA	B	C	D	E	F	G	ΦH	ΦI	kg
Value [mm]	1300	880	38	930	870	775	665	480	14	108

Drawings are indicative of the size of the selected fan. These dimensions may vary, even without any explicit advice. To have more accurate information contact your local agency.

Electric Wire Connections

230 V/3 Ph/50 Hz



400 V/3 Ph/50 Hz

