

Selection - FC 638 T

Product Code	1FC6881
Requested Air Volume	7 361 m ³ /h
Requested Pressure	4,50 Pa
Air Volume	7 391 m ³ /h
Static Pressure	4,54 Pa
Total Pressure	31,0 Pa
Velocity Pressure	26,5 Pa
Outlet Velocity	6,59 m/s
SFP	0,17 W/l/s
Fan Total Efficiency	18,1 %
Fan Static Efficiency	2,6 %
Air Properties	1,22kg/m ³ / 15°C/ 0m/ 50% RH
Motor Input Power	0,352 kW
Temperature Range	+100°C
Fan Energy Index (FEI)	2,19

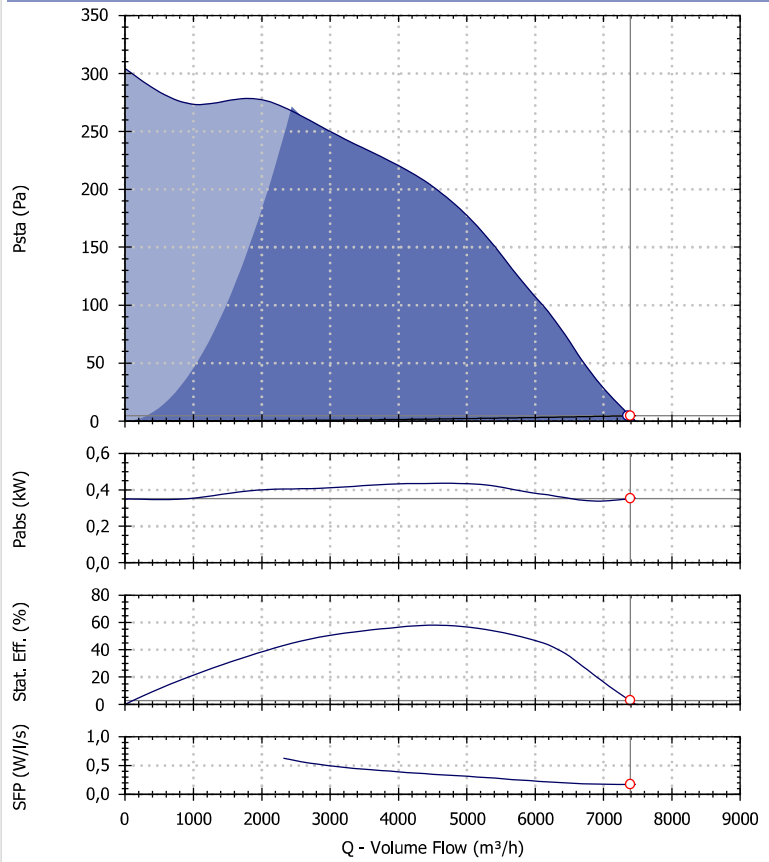
Motor Selection

Electrical Supply	400/3/50
Motor Rating	0.55 kW
Enclosure/Class	55 / F
Frame Size	90L
Poles number	8
Motor Speed	720 rpm
Full Load Current	2.30 A

ERP Information

Optimal Efficiency	57,97%
Installation Type	C
Efficiency Category	Static
N	66
Manufacturer	Maico
Reference	FC 638 T
Optimal Power	0,436 kW
Optimal Airflow	4 637 m ³ /h
Optimal Pressure	196 Pa
Optimal Speed	720rpm
ERP Compliance	2015

Fan Performance



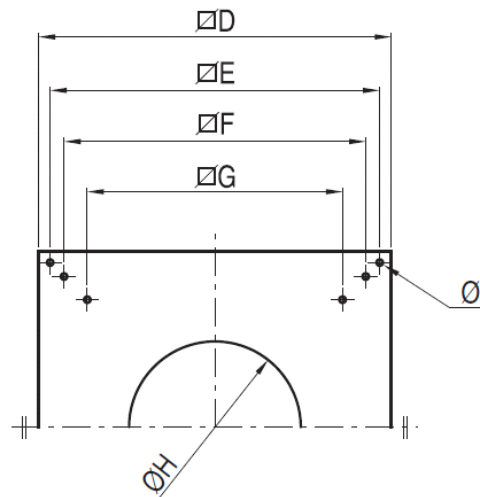
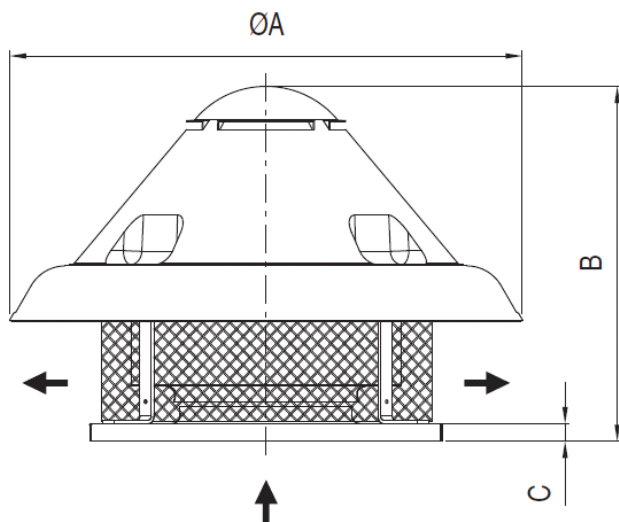
Performances refers to Maico Italia measures and may vary according to the installation type.

Sound Performance

Hz	63	125	250	500	1k	2k	4k	8k	Overall
Lw	77	78	77	73	71	68	62	54	83
Lw(A)	51	62	68	70	71	69	63	53	76
LpA @ 6m	24	35	41	43	44	42	36	26	50

Sounds spectra refers to Maico Italia measures performed in our laboratories. The values provided are just indicative of the situation and Maico Italia declines every responsibility in case different levels measured by our customers as the installation types and the environmental variables may increase/decrease these values.

Drawing and Dimensions - FC 638 T

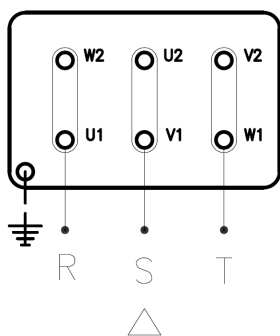


Key	ΦA	B	C	D	E	F	G	ΦH	ΦI	kg
Value [mm]	1300	850	38	930	870	775	665	430	14	75

Drawings are indicative of the size of the selected fan. These dimensions may vary, even without any explicit advice. To have more accurate information contact your local agency.

Electric Wire Connections

230 V/3 Ph/50 Hz



400 V/3 Ph/50 Hz

