

Selection - FC 508 T

Product Code	1FC5088
Requested Air Volume	3 563 m ³ /h
Requested Pressure	2,29 Pa
Air Volume	3 587 m ³ /h
Static Pressure	2,32 Pa
Total Pressure	18,0 Pa
Velocity Pressure	15,7 Pa
Outlet Velocity	5,07 m/s
SFP	0,10 W/l/s
Fan Total Efficiency	18,5 %
Fan Static Efficiency	2,4 %
Air Properties	1,22kg/m ³ / 15°C/ 0m/ 50% RH
Fan Absorbed Power	0,097 kW
Temperature Range	+100°C
Fan Energy Index (FEI)	6,34

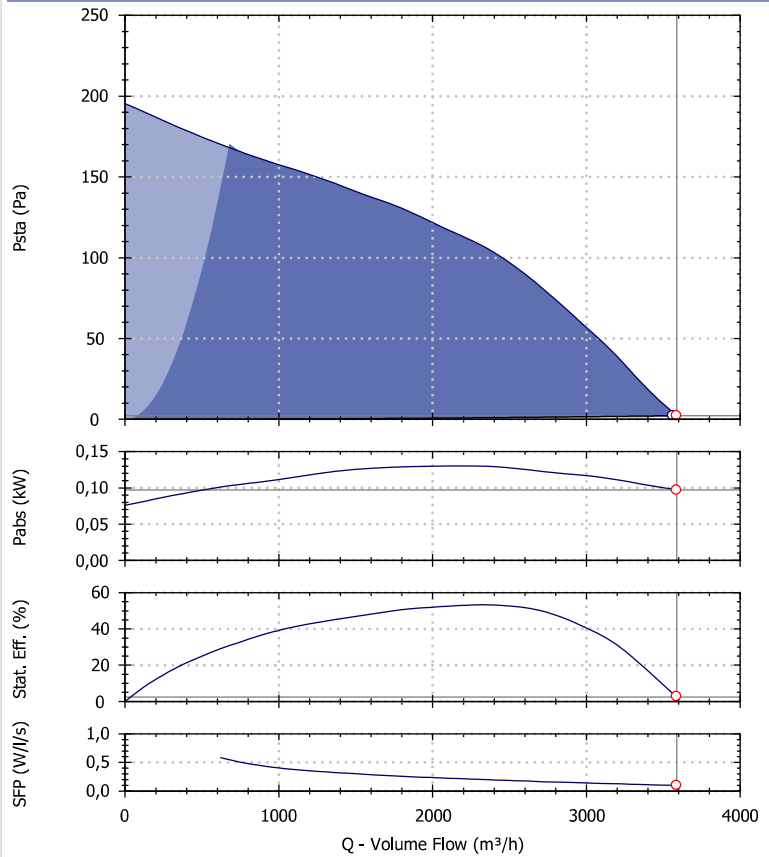
Motor Selection

Electrical Supply	400/3/50
Motor Rating	0.25 kW
Enclosure/Class	55 / F
Frame Size	80
Poles number	8
Motor Speed	720 rpm
Full Load Current	1.13 A

ERP Information

ERP Compliance	Exempt
Type	-
Regulation	-
Category of measure	-

Fan Performance



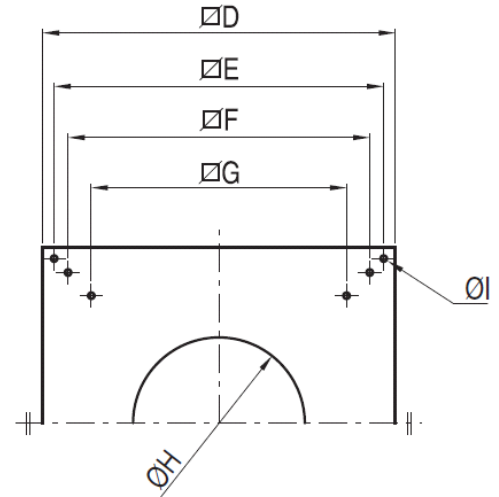
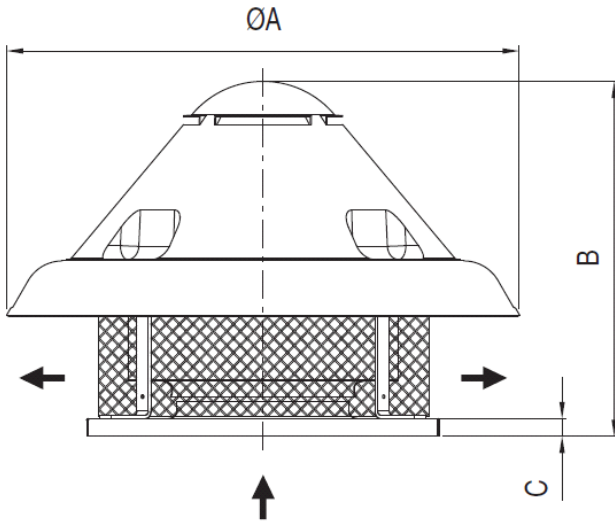
Performances refers to Maico Italia measures and may vary according to the installation type.

Sound Performance

Hz	63	125	250	500	1k	2k	4k	8k	Overall
Lw	36	52	60	63	64	62	57	46	69
Lw(A)	10	36	51	60	64	63	58	45	68
LpA @ 3m	-	15	31	39	43	43	37	24	47

Sounds spectra refers to Maico Italia measures performed in our laboratories. The values provided are just indicative of the situation and Maico Italia declines every responsibility in case different levels measured by our customers as the installation types and the environmental variables may increase/decrease these values.

Drawing and Dimensions - FC 508 T

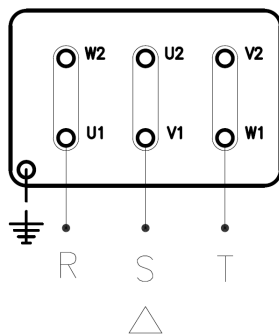


Key	ΦA	B	C	D	E	F	G	ΦH	ΦI	kg
Value [mm]	1100	750	38	760	710	650	550	320	14	55

Drawings are indicative of the size of the selected fan. These dimensions may vary, even without any explicit advice. To have more accurate information contact your local agency.

Electric Wire Connections

230 V/3 Ph/50 Hz



400 V/3 Ph/50 Hz

