

## Selection - FC 454 M Fan Performance

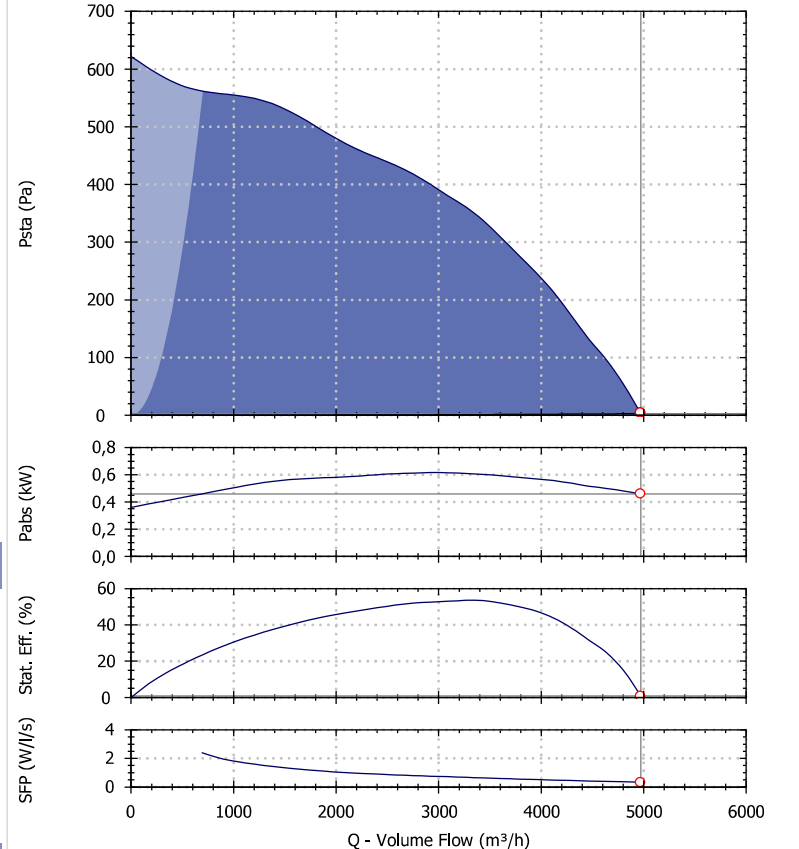
Product Code	1FC4649
Requested Air Volume	4 969 m <sup>3</sup> /h
Requested Pressure	2,85 Pa
Air Volume	4 973 m <sup>3</sup> /h
Static Pressure	2,85 Pa
Total Pressure	48,9 Pa
Velocity Pressure	46,0 Pa
Outlet Velocity	8,69 m/s
SFP	0,33 W/l/s
Fan Total Efficiency	14,7 %
Fan Static Efficiency	0,9 %
Air Properties	1,22kg/m <sup>3</sup> / 15°C/ 0m/ 50% RH
Fan Absorbed Power	0,458 kW
Temperature Range	+100°C
Fan Energy Index (FEI)	1,36

### Motor Selection

Electrical Supply	230/1/50
Motor Rating	0.75 kW
Enclosure/Class	55 / F
Frame Size	80
Poles number	4
Motor Speed	1440 rpm
Full Load Current	5.60 A

### ERP Information

ERP Compliance	Exempt
Type	-
Regulation	-
Category of measure	-



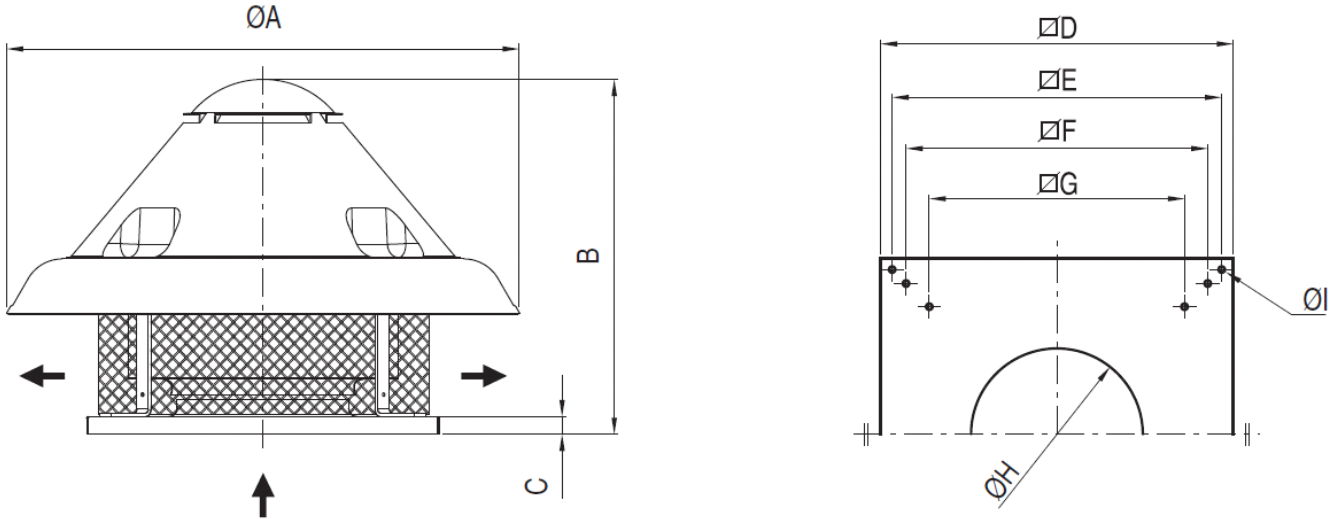
Performances refers to Maico Italia measures and may vary according to the installation type.

### Sound Performance

Hz	63	125	250	500	1k	2k	4k	8k	Overall
Lw	52	66	73	76	76	73	69	58	81
Lw(A)	26	50	64	73	76	74	70	57	80
LpA @ 3m	5	29	44	52	55	54	49	36	59

Sounds spectra refers to Maico Italia measures performed in our laboratories. The values provided are just indicative of the situation and Maico Italia declines every responsibility in case different levels measured by our customers as the installation types and the environmental variables may increase/decrease these values.

## Drawing and Dimensions - FC 454 M



Key	$\varnothing A$	B	C	D	E	F	G	$\varnothing H$	$\varnothing I$	kg
Value [mm]	900	650	38	650	600	530	471	296	12	38

Drawings are indicative of the size of the selected fan. These dimensions may vary, even without any explicit advice. To have more accurate information contact your local agency.

## Electric Wire Connections

