

Selection - FC 408 T Fan Performance

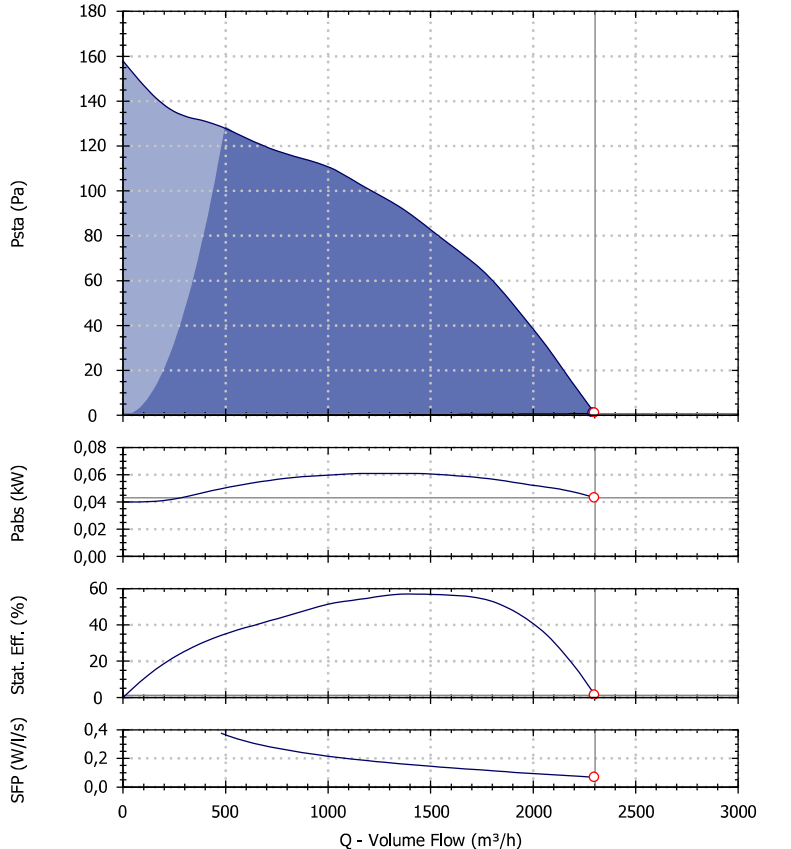
Product Code	1FC4188
Requested Air Volume	2 294 m ³ /h
Requested Pressure	0,732 Pa
Air Volume	2 302 m ³ /h
Static Pressure	0,737 Pa
Total Pressure	16,5 Pa
Velocity Pressure	15,8 Pa
Outlet Velocity	5,09 m/s
SFP	0,07 W/l/s
Fan Total Efficiency	24,6 %
Fan Static Efficiency	1,1 %
Air Properties	1,22kg/m ³ / 15°C/ 0m/ 50% RH
Fan Absorbed Power	0,043 kW
Temperature Range	+100°C
Fan Energy Index (FEI)	15,9

Motor Selection

Electrical Supply	400/3/50
Motor Rating	0.12 kW
Enclosure/Class	55 / F
Frame Size	71
Poles number	8
Motor Speed	720 rpm
Full Load Current	0.75 A

ERP Information

ERP Compliance	Exempt
Type	-
Regulation	-
Category of measure	-



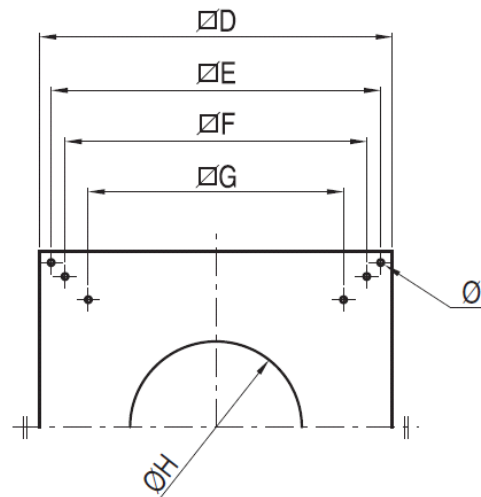
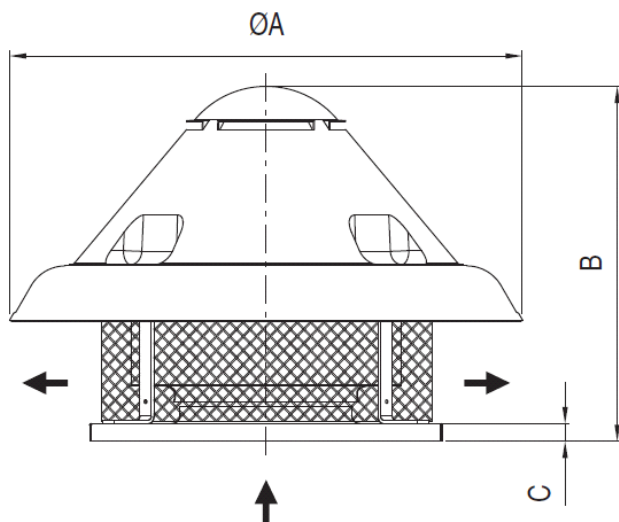
Performances refers to Maico Italia measures and may vary according to the installation type.

Sound Performance

Hz	63	125	250	500	1k	2k	4k	8k	Overall
Lw	36	49	56	59	60	57	53	42	65
Lw(A)	10	33	47	56	60	58	54	41	64
LpA @ 3m	-	12	27	35	39	38	33	20	43

Sounds spectra refers to Maico Italia measures performed in our laboratories. The values provided are just indicative of the situation and Maico Italia declines every responsibility in case different levels measured by our customers as the installation types and the environmental variables may increase/decrease these values.

Drawing and Dimensions - FC 408 T

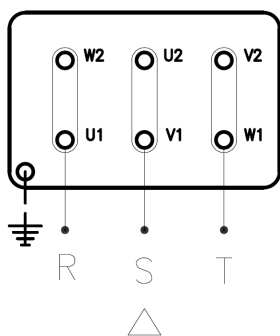


Key	ΦA	B	C	D	E	F	G	ΦH	ΦI	kg
Value [mm]	900	640	38	650	600	530	471	296	12	30

Drawings are indicative of the size of the selected fan. These dimensions may vary, even without any explicit advice. To have more accurate information contact your local agency.

Electric Wire Connections

230 V/3 Ph/50 Hz



400 V/3 Ph/50 Hz

