

## Selection - FC 354 M

Product Code	1FC3649
Requested Air Volume	3 308 m <sup>3</sup> /h
Requested Pressure	4,57 Pa
Air Volume	3 323 m <sup>3</sup> /h
Static Pressure	4,61 Pa
Total Pressure	61 Pa
Velocity Pressure	56 Pa
Outlet Velocity	9,59 m/s
SFP	0,26 W/l/s
Fan Total Efficiency	23,6 %
Fan Static Efficiency	1,8 %
Air Properties	1,22kg/m <sup>3</sup> / 15°C/ 0m/ 50% RH
Fan Absorbed Power	0,238 kW
Temperature Range	+100°C
Fan Energy Index (FEI)	2,86

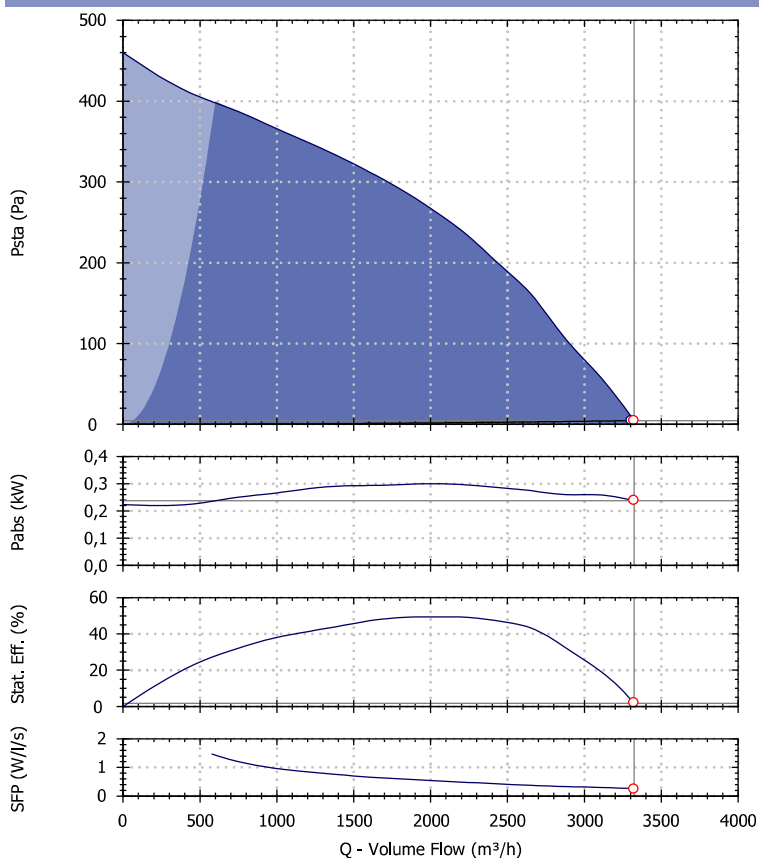
## Motor Selection

Electrical Supply	230/1/50
Motor Rating	0.25 kW
Enclosure/Class	55 / F
Frame Size	71
Poles number	4
Motor Speed	1440 rpm
Full Load Current	2.35 A

## ERP Information

ERP Compliance	Exempt
Type	-
Regulation	-
Category of measure	-

## Fan Performance



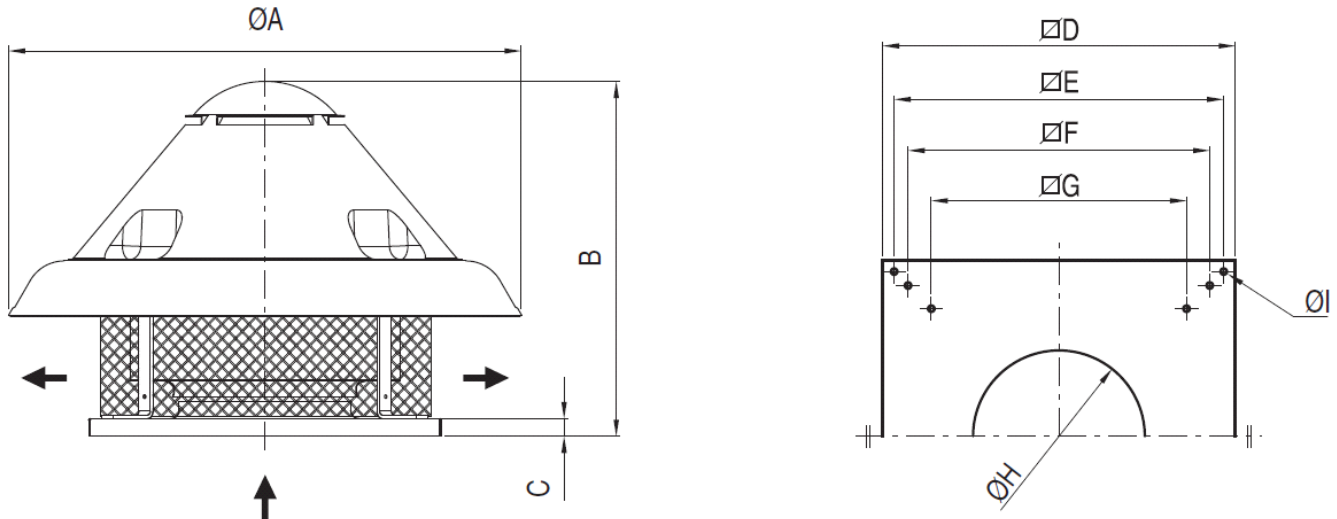
Performances refers to Maico Italia measures and may vary according to the installation type.

## Sound Performance

Hz	63	125	250	500	1k	2k	4k	8k	Overall
Lw	48	62	68	73	73	70	65	54	78
Lw(A)	22	46	59	70	73	71	66	53	77
LpA @ 3m	1	25	39	49	52	51	45	32	56

Sounds spectra refers to Maico Italia measures performed in our laboratories. The values provided are just indicative of the situation and Maico Italia declines every responsibility in case different levels measured by our customers as the installation types and the environmental variables may increase/decrease these values.

## Drawing and Dimensions - FC 354 M



Key	$\Phi A$	B	C	D	E	G	$\Phi H$	$\Phi I$	kg
Value [mm]	750	580	38	500	450	380	270	12	25

Drawings are indicative of the size of the selected fan. These dimensions may vary, even without any explicit advice. To have more accurate information contact your local agency.

## Electric Wire Connections

