

Selection - FC 254 M

Product Code	1FC2549
Requested Air Volume	956 m ³ /h
Requested Pressure	2,15 Pa
Air Volume	961 m ³ /h
Static Pressure	2,17 Pa
Total Pressure	20,2 Pa
Velocity Pressure	18,0 Pa
Outlet Velocity	5,44 m/s
SFP	0,24 W/l/s
Fan Total Efficiency	8,6 %
Fan Static Efficiency	0,9 %
Air Properties	1,22kg/m ³ / 15°C/ 0m/ 50% RH
Fan Absorbed Power	0,063 kW
Temperature Range	+100°C
Fan Energy Index (FEI)	10,04

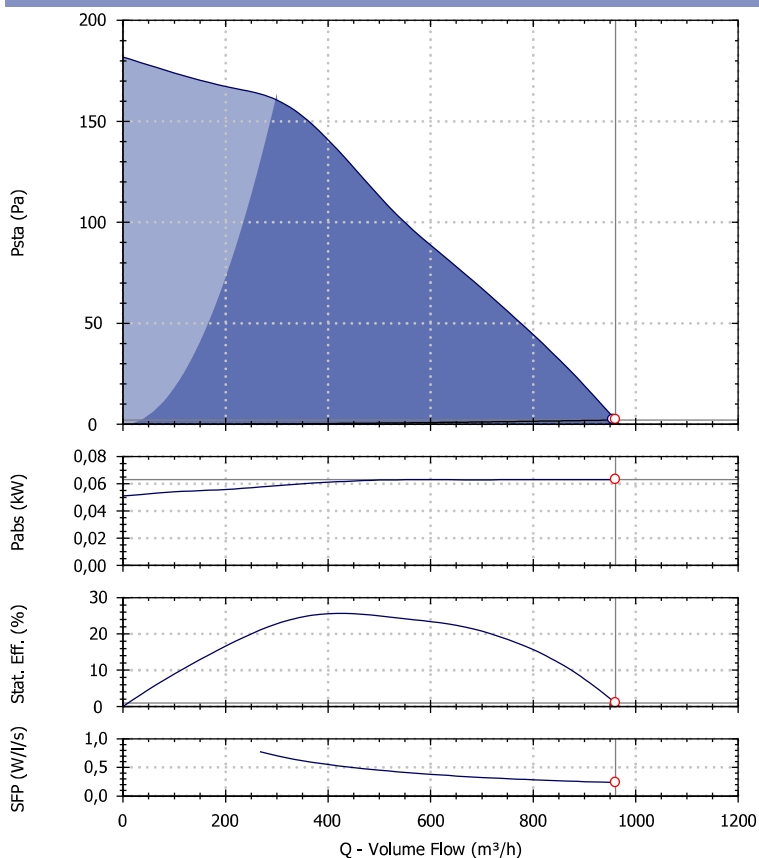
Motor Selection

Electrical Supply	230/1/50
Motor Rating	0.09 kW
Enclosure/Class	55 / F
Frame Size	56
Poles number	4
Motor Speed	1440 rpm
Full Load Current	0.90 A

ERP Information

ERP Compliance	Exempt
Type	
Regulation	-
Category of measure	-

Fan Performance



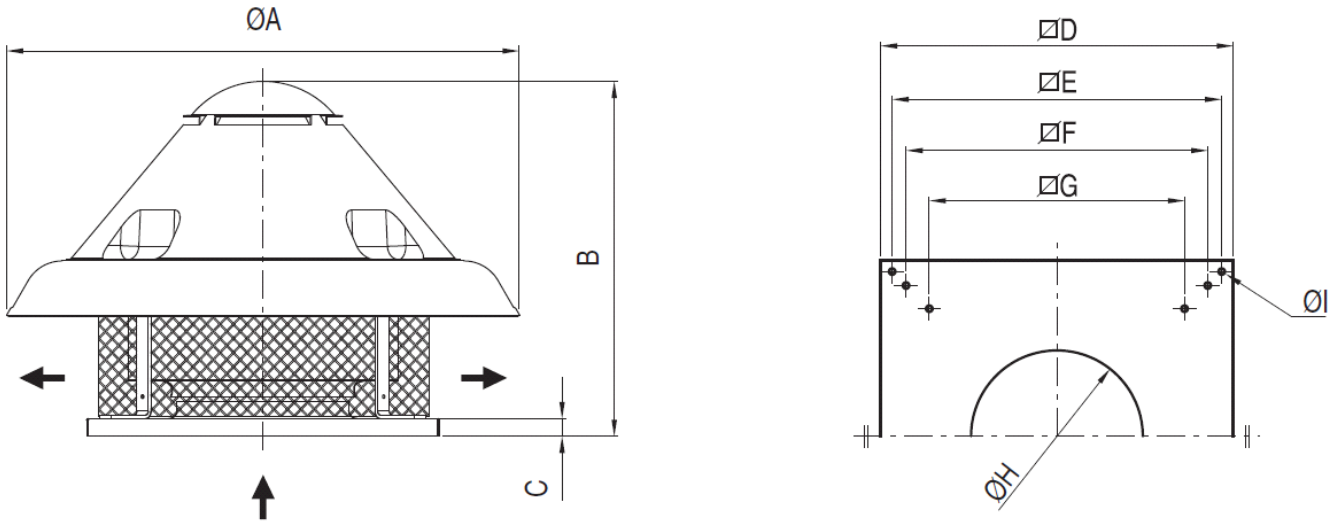
Performances refers to Maico Italia measures and may vary according to the installation type.

Sound Performance

Hz	63	125	250	500	1k	2k	4k	8k	Overall
Lw	33	48	50	54	56	52	44	34	60
Lw(A)	7	32	41	51	56	53	45	33	59
LpA @ 3m	-	11	21	30	35	33	24	12	38

Sounds spectra refers to Maico Italia measures performed in our laboratories. The values provided are just indicative of the situation and Maico Italia declines every responsibility in case different levels measured by our customers as the installation types and the environmental variables may increase/decrease these values.

Drawing and Dimensions - FC 254 M



Key	ΦA	B	C	D	E	G	ΦH	ΦI	kg
Value [mm]	600	500	38	400	360	257	180	12	14

Drawings are indicative of the size of the selected fan. These dimensions may vary, even without any explicit advice. To have more accurate information contact your local agency.

Electric Wire Connections

