

# AC axial fan

S series



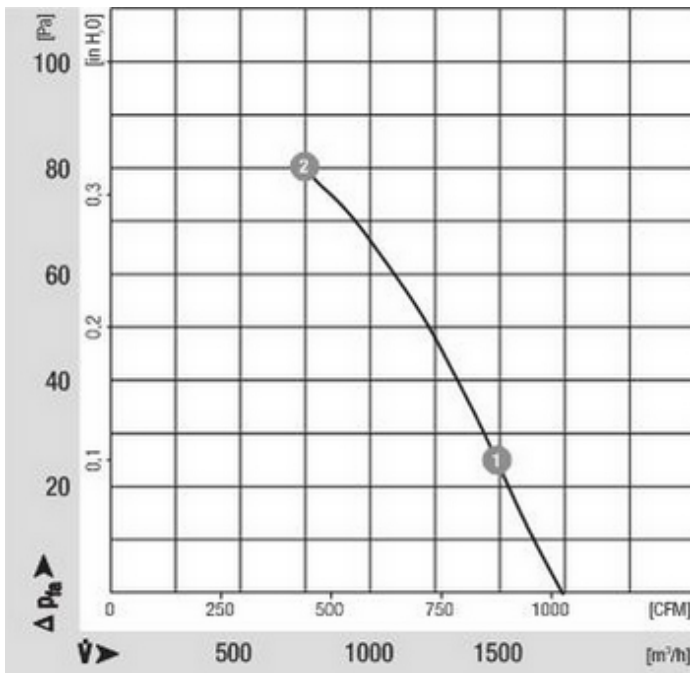
- **Design:** Without guard grille and wall ring
- **Impeller material:** Sheet steel (enameled in black)
- **Bearings:** Maintenance-free ball bearings

Nominal data		Voltage	Frequency	Air flow	Speed	Power consumption	Current draw	Capacitor capacity	Sound pressure level	Operative range 50Hz	Ambient temperature 50Hz	Weight
Type	Motor	1- VAC	Hz	m <sup>3</sup> /h	1/min	W	A	uF/V	dB(A)	Pa	°C	kg
A4E300AP2601	M4E068CF	230	50	1740	1400	68	0.30	2.0 / 400	59	0.. 80	-25 .. 60	1.9

Subject to modification

Characteristic: Pressure over air flow at 50Hz

n	P <sub>1</sub>	I	LpA	ntL
[1/min]	[W]	[A]	[dBA]	[%]

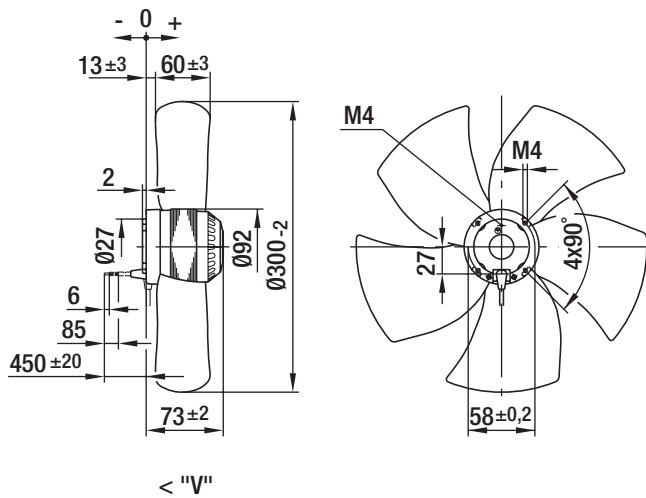


1	1390	72	--	--	--
2	1290	88	--	--	--

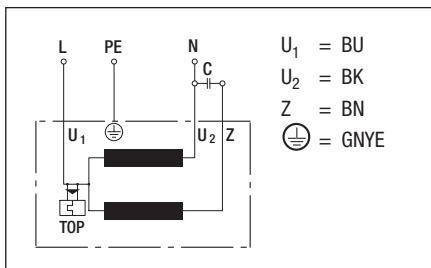
# AC axial fan

S series

## Specific drawing



## Connection illustration



## Technical description

- **Design:** Without guard grille and wall ring
- **Bearings:** Maintenance-free ball bearings
- **Direction of flow:** "V"
- **Cable layout:** Axial
- **Insulation class:** "B"
- **System of protection:** IP 44
- **Impeller material:** Sheet steel (enameled in black)
- **Direction of rotation:** Left, looking at rotor
- **Number of impeller blades:** 5
- **Operating mode:** S1
- **Protection class:** I

## Contact

ebm-papst Mulfingen GmbH & Co. KG

Bachmühle 2

D-74673 Mulfingen

Phone +49 (0) 79 38 / 81-0

Fax +49 (0) 79 38 / 81-110

info1@de.ebmpapst.com

www.ebmpapst.com