

Selection - FC 756 T

Product Code	1FC7661
Requested Air Volume	13 006 m ³ /h
Requested Pressure	5,48 Pa
Air Volume	13 028 m ³ /h
Static Pressure	5,50 Pa
Total Pressure	46,5 Pa
Velocity Pressure	41,0 Pa
Outlet Velocity	8,19 m/s
SFP	0,41 W/l/s
Fan Total Efficiency	11,3 %
Fan Static Efficiency	1,3 %
Air Properties	1,22kg/m ³ / 15°C/ 0m/ 50% RH
Motor Input Power	1,49 kW
Temperature Range	+100°C
Fan Energy Index (FEI)	0,68

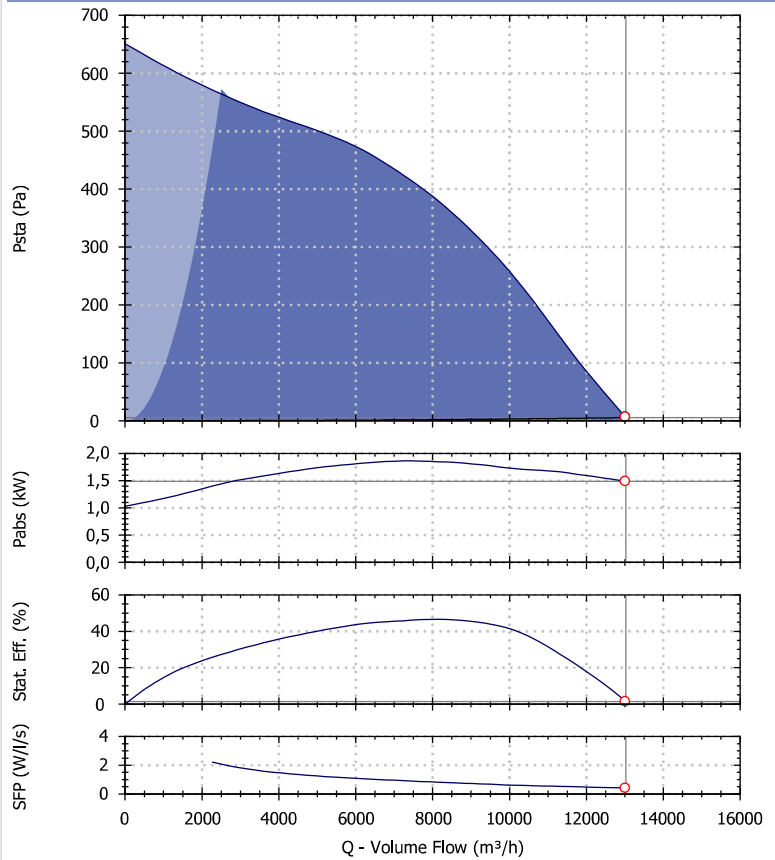
Motor Selection

Electrical Supply	400/3/50
Motor Rating	2.20 kW
Enclosure/Class	55 / F
Frame Size	112
Poles number	6
Motor Speed	960 rpm
Full Load Current	5.45 A

ERP Information

ERP Compliance	Exempt
Type	
Regulation	-
Category of measure	-

Fan Performance

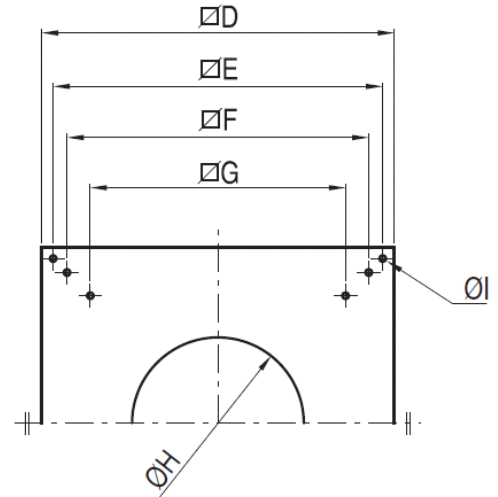
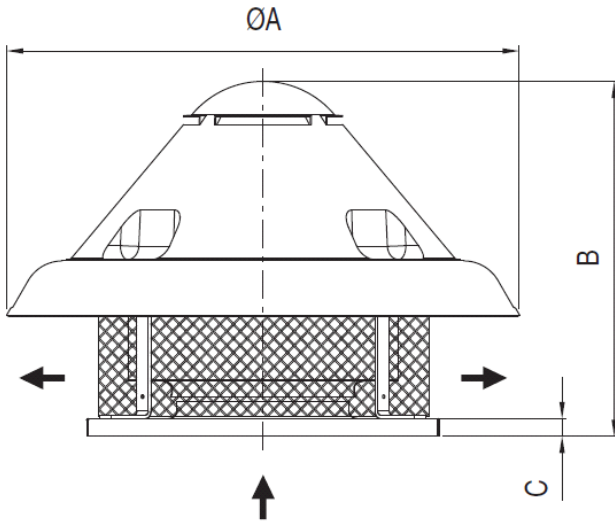


Sound Performance

Hz	63	125	250	500	1k	2k	4k	8k	Overall
Lw	84	86	86	83	81	78	73	67	92
Lw(A)	58	70	77	80	81	79	74	66	86
LpA @ 6m	31	43	50	53	54	52	47	39	59

Sounds spectra refers to Maico Italia measures performed in our laboratories. The values provided are just indicative of the situation and Maico Italia declines every responsibility in case different levels measured by our customers as the installation types and the environmental variables may increase/decrease these values.

Drawing and Dimensions - FC 756 T

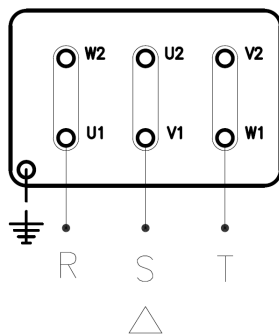


Key	ΦA	B	C	D	E	F	G	ΦH	ΦI	kg
Value [mm]	1300	880	38	930	870	775	665	480	14	108

Drawings are indicative of the size of the selected fan. These dimensions may vary, even without any explicit advice. To have more accurate information contact your local agency.

Electric Wire Connections

230 V/3 Ph/50 Hz



400 V/3 Ph/50 Hz

