

Selection - FC 566 T

Product Code	1FC5768
Requested Air Volume	6 193 m ³ /h
Requested Pressure	7,93 Pa
Air Volume	6 214 m ³ /h
Static Pressure	7,98 Pa
Total Pressure	38,0 Pa
Velocity Pressure	30,0 Pa
Outlet Velocity	7,01 m/s
SFP	0,22 W/l/s
Fan Total Efficiency	17,3 %
Fan Static Efficiency	3,6 %
Air Properties	1,22kg/m ³ / 15°C/ 0m/ 50% RH
Motor Input Power	0,378 kW
Temperature Range	+100°C
Fan Energy Index (FEI)	1,68

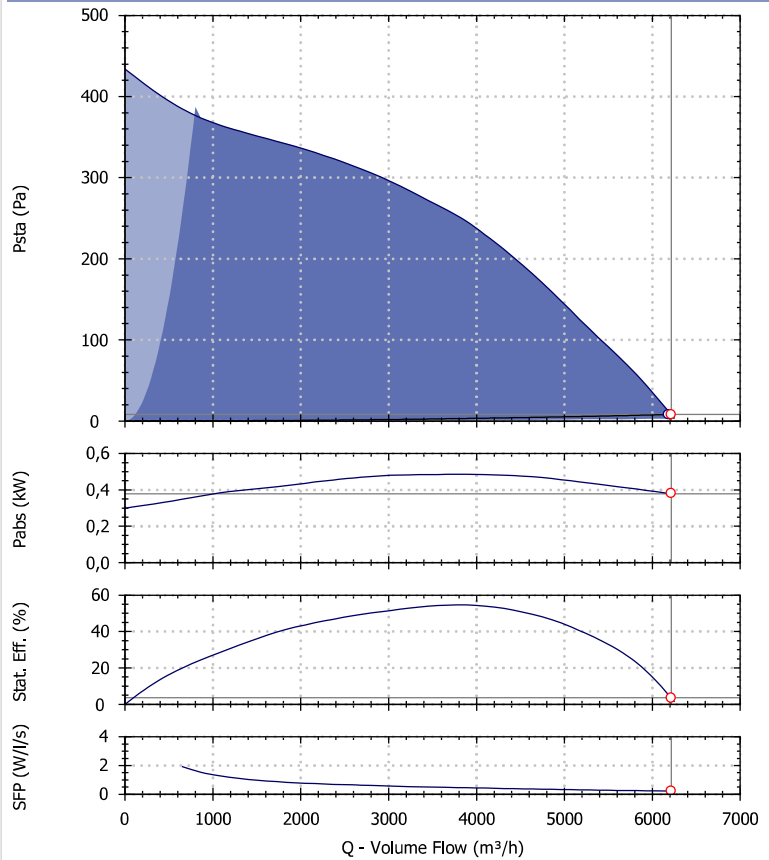
Motor Selection

Electrical Supply	400/3/50
Motor Rating	0.55 kW
Enclosure/Class	55 / F
Frame Size	80
Poles number	6
Motor Speed	960 rpm
Full Load Current	1.80 A

ERP Information

Optimal Efficiency	54,68%
Installation Type	C
Efficiency Category	Static
N	62
Manufacturer	Maico
Reference	FC 566 T
Optimal Power	0,486 kW
Optimal Airflow	3 881 m ³ /h
Optimal Pressure	246 Pa
Optimal Speed	960rpm
ERP Compliance	2015

Fan Performance



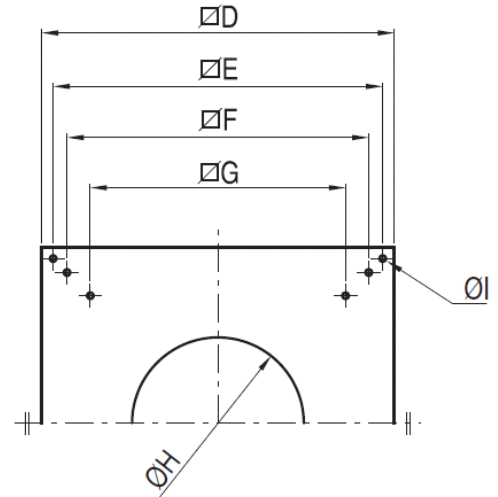
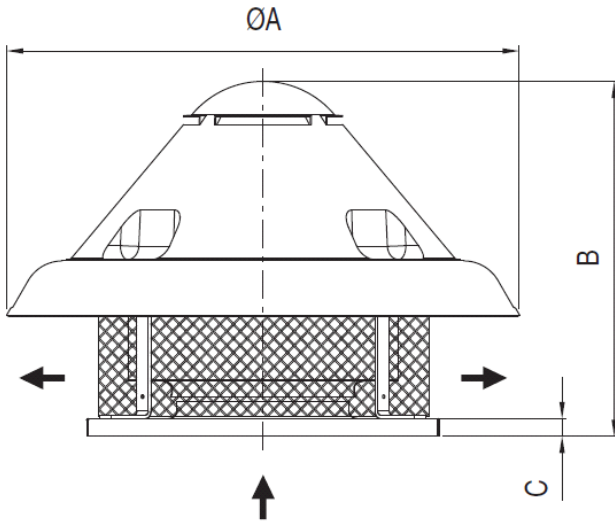
Performances refers to Maico Italia measures and may vary according to the installation type.

Sound Performance

Hz	63	125	250	500	1k	2k	4k	8k	Overall
Lw	74	74	76	73	71	68	61	53	81
Lw(A)	48	58	67	70	71	69	62	52	76
LpA @ 6m	21	31	40	43	44	42	35	25	49

Sounds spectra refers to Maico Italia measures performed in our laboratories. The values provided are just indicative of the situation and Maico Italia declines every responsibility in case different levels measured by our customers as the installation types and the environmental variables may increase/decrease these values.

Drawing and Dimensions - FC 566 T

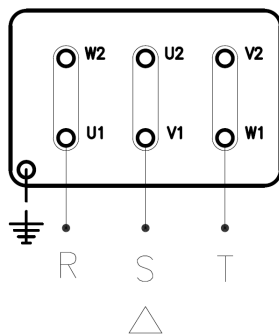


Key	ΦA	B	C	D	E	F	G	ΦH	ΦI	kg
Value [mm]	1100	750	38	760	710	650	550	370	14	57

Drawings are indicative of the size of the selected fan. These dimensions may vary, even without any explicit advice. To have more accurate information contact your local agency.

Electric Wire Connections

230 V/3 Ph/50 Hz



400 V/3 Ph/50 Hz

