

Selection - FC 504 T

Product Code	1FC5010
Requested Air Volume	7 152 m ³ /h
Requested Pressure	8,23 Pa
Air Volume	7 179 m ³ /h
Static Pressure	8,29 Pa
Total Pressure	71 Pa
Velocity Pressure	63 Pa
Outlet Velocity	10,16 m/s
SFP	0,39 W/l/s
Fan Total Efficiency	18,2 %
Fan Static Efficiency	2,1 %
Air Properties	1,22kg/m ³ / 15°C/ 0m/ 50% RH
Fan Absorbed Power	0,782 kW
Temperature Range	+100°C
Fan Energy Index (FEI)	0,94

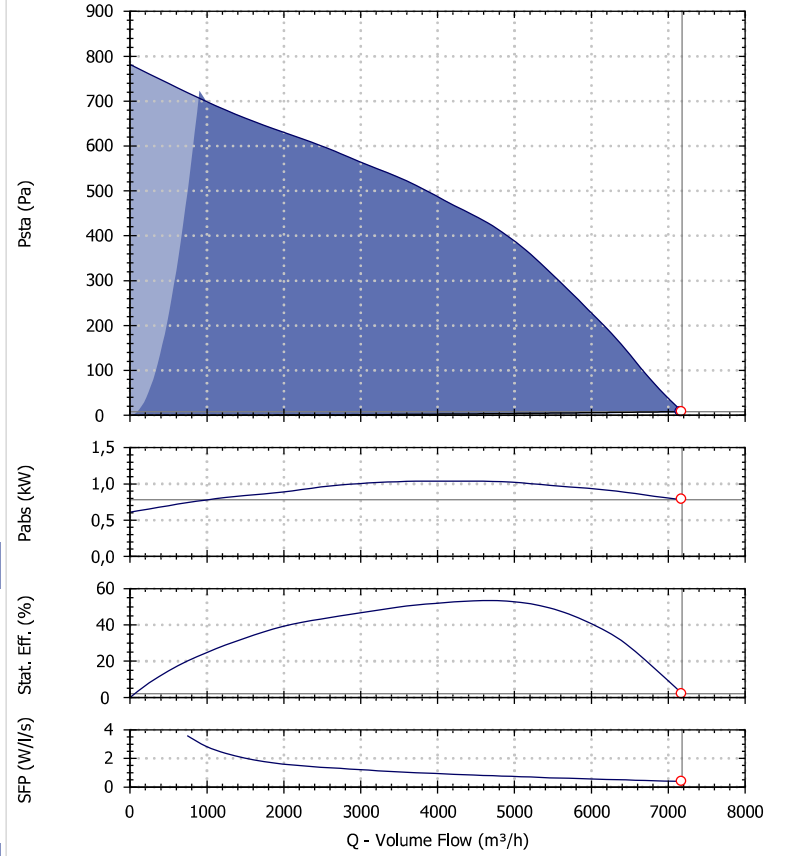
Motor Selection

Electrical Supply	400/3/50
Motor Rating	1.10 kW
Enclosure/Class	55 / F
Frame Size	90s
Poles number	4
Motor Speed	1440 rpm
Full Load Current	2.80 A

ERP Information

ERP Compliance	Exempt
Type	-
Regulation	-
Category of measure	-

Fan Performance



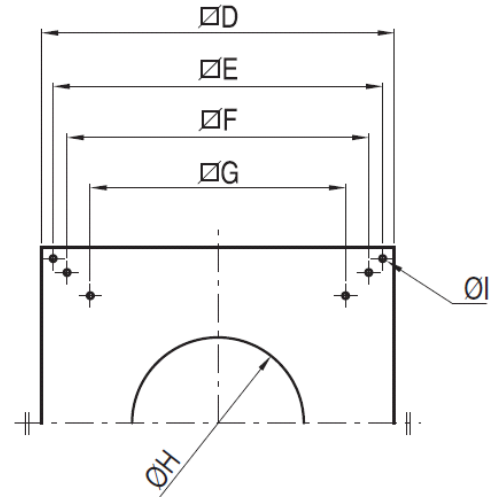
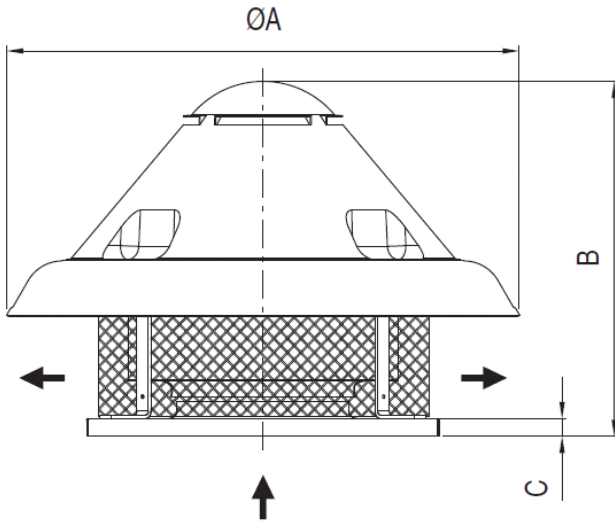
Performances refers to Maico Italia measures and may vary according to the installation type.

Sound Performance

Hz	63	125	250	500	1k	2k	4k	8k	Overall
Lw	52	67	75	78	79	77	72	61	84
Lw(A)	26	51	66	75	79	78	73	60	83
LpA @ 3m	5	30	46	54	58	58	52	39	62

Sounds spectra refers to Maico Italia measures performed in our laboratories. The values provided are just indicative of the situation and Maico Italia declines every responsibility in case different levels measured by our customers as the installation types and the environmental variables may increase/decrease these values.

Drawing and Dimensions - FC 504 T

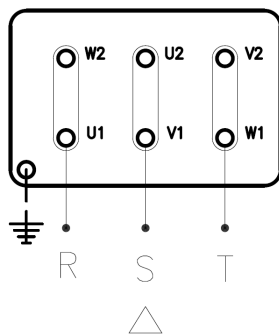


Key	ΦA	B	C	D	E	F	G	ΦH	ΦI	kg
Value [mm]	1100	750	38	760	710	650	550	320	14	55

Drawings are indicative of the size of the selected fan. These dimensions may vary, even without any explicit advice. To have more accurate information contact your local agency.

Electric Wire Connections

230 V/3 Ph/50 Hz



400 V/3 Ph/50 Hz

