

Selection - FC 404 T

Product Code	1FC4148
Requested Air Volume	4 535 m ³ /h
Requested Pressure	11,6 Pa
Air Volume	4 562 m ³ /h
Static Pressure	11,7 Pa
Total Pressure	74 Pa
Velocity Pressure	62 Pa
Outlet Velocity	10,08 m/s
SFP	0,28 W/l/s
Fan Total Efficiency	26,5 %
Fan Static Efficiency	4,2 %
Air Properties	1,22kg/m ³ / 15°C/ 0m/ 50% RH
Motor Input Power	0,353 kW
Temperature Range	+100°C
Fan Energy Index (FEI)	1,74

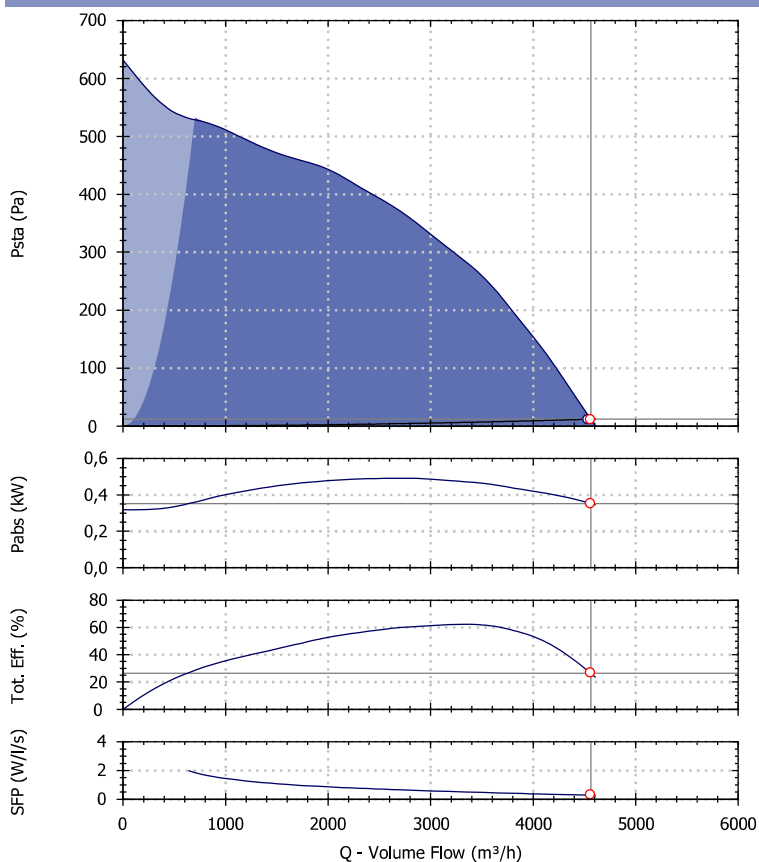
Motor Selection

Electrical Supply	400/3/50
Motor Rating	0.55 kW
Enclosure/Class	55 / F
Frame Size	80
Poles number	4
Motor Speed	1440 rpm
Full Load Current	1.60 A

ERP Information

ERP Compliance	Exempt
Type	
Regulation	-
Category of measure	-

Fan Performance



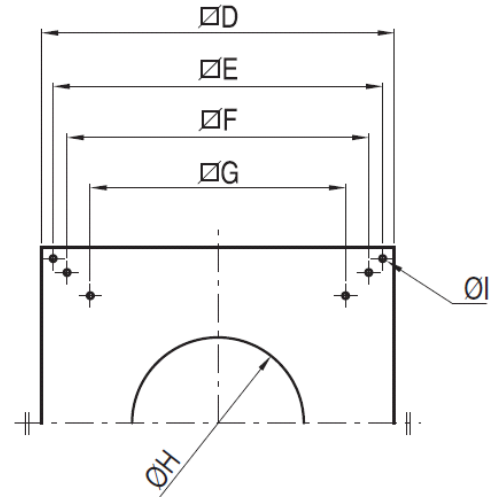
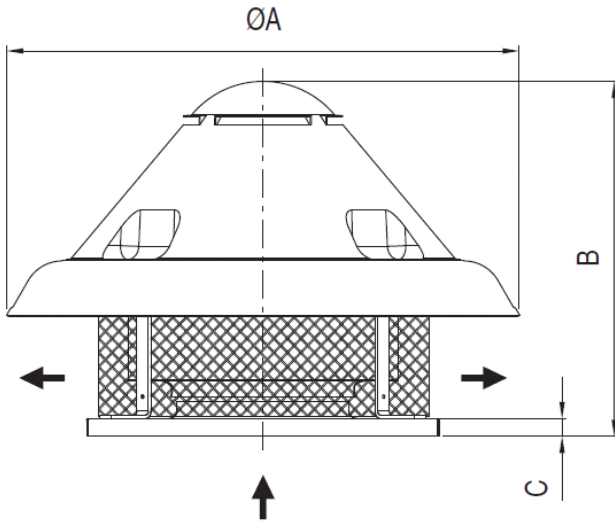
Performances refers to Maico Italia measures and may vary according to the installation type.

Sound Performance

Hz	63	125	250	500	1k	2k	4k	8k	Overall
Lw	77	80	80	77	75	71	67	58	85
Lw(A)	51	64	71	74	75	72	68	57	80
LpA @ 6m	24	37	44	47	48	45	41	30	53

Sounds spectra refers to Maico Italia measures performed in our laboratories. The values provided are just indicative of the situation and Maico Italia declines every responsibility in case different levels measured by our customers as the installation types and the environmental variables may increase/decrease these values.

Drawing and Dimensions - FC 404 T

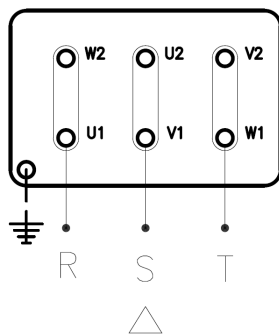


Key	ΦA	B	C	D	E	F	G	ΦH	ΦI	kg
Value [mm]	900	640	38	650	600	530	471	296	12	30

Drawings are indicative of the size of the selected fan. These dimensions may vary, even without any explicit advice. To have more accurate information contact your local agency.

Electric Wire Connections

230 V/3 Ph/50 Hz



400 V/3 Ph/50 Hz

