

Selection - FC 314 T Fan Performance

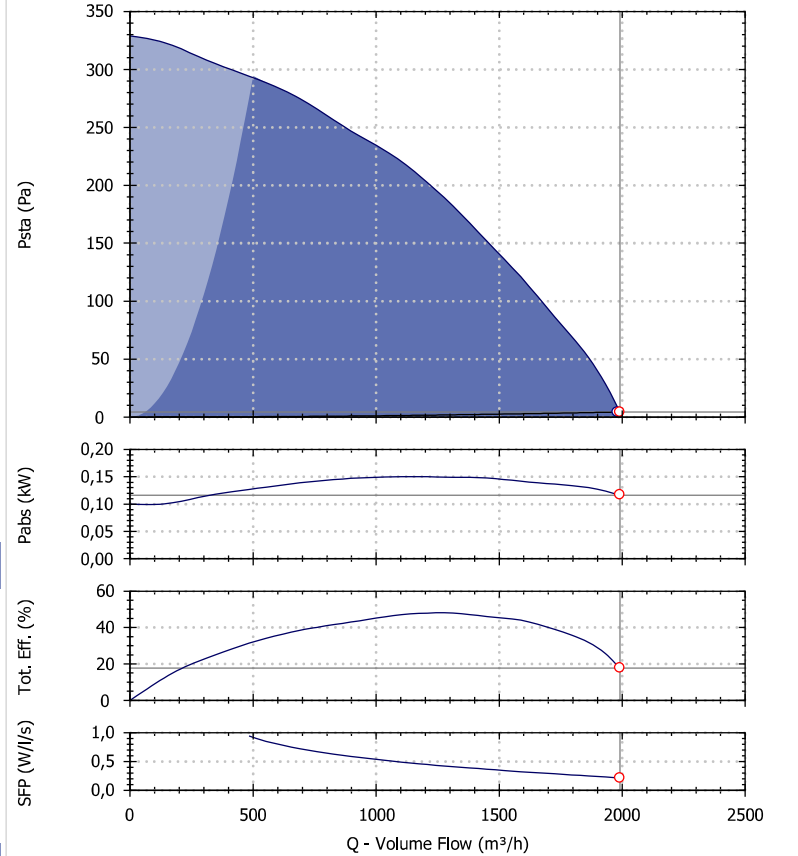
Product Code	1FC3248
Requested Air Volume	1 978 m ³ /h
Requested Pressure	4,26 Pa
Air Volume	1 991 m ³ /h
Static Pressure	4,32 Pa
Total Pressure	37,1 Pa
Velocity Pressure	32,8 Pa
Outlet Velocity	7,33 m/s
SFP	0,21 W/l/s
Fan Total Efficiency	17,6 %
Fan Static Efficiency	2,1 %
Air Properties	1,22kg/m ³ / 15°C/ 0m/ 50% RH
Motor Input Power	0,116 kW
Temperature Range	+100°C
Fan Energy Index (FEI)	5,26

Motor Selection

Electrical Supply	400/3/50
Motor Rating	0.12 kW
Enclosure/Class	55 / F
Frame Size	63
Poles number	4
Motor Speed	1440 rpm
Full Load Current	0.57 A

ERP Information

ERP Compliance	Exempt
Type	-
Regulation	-
Category of measure	-



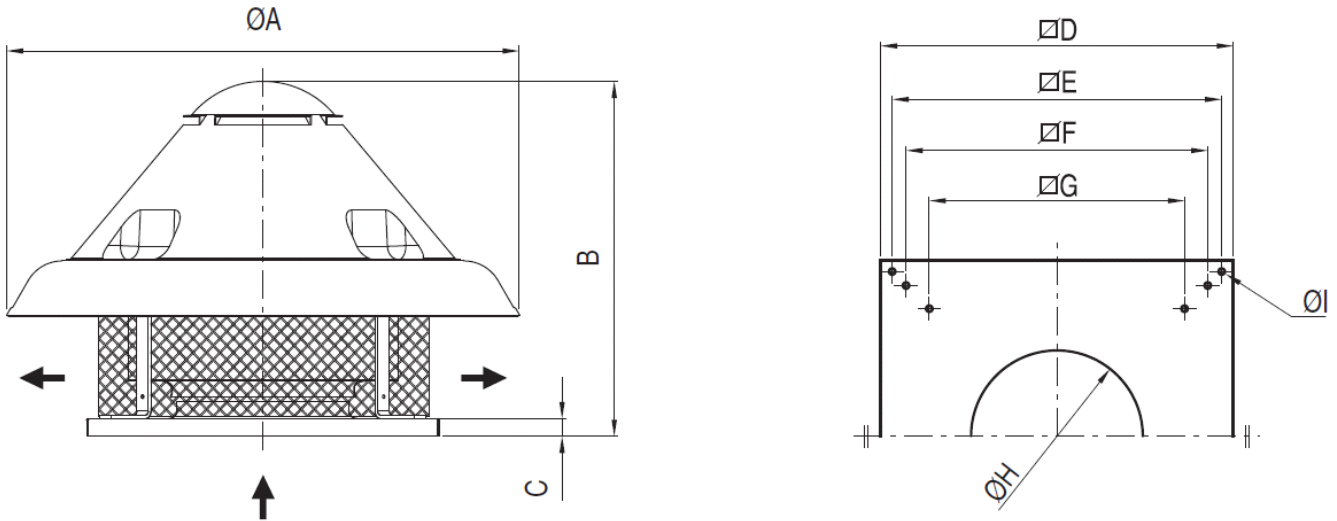
Performances refers to Maico Italia measures and may vary according to the installation type.

Sound Performance

Hz	63	125	250	500	1k	2k	4k	8k	Overall
Lw	71	71	73	73	70	64	59	50	79
Lw(A)	45	55	64	70	70	65	60	49	74
LpA @ 6m	18	29	37	43	43	39	33	23	48

Sounds spectra refers to Maico Italia measures performed in our laboratories. The values provided are just indicative of the situation and Maico Italia declines every responsibility in case different levels measured by our customers as the installation types and the environmental variables may increase/decrease these values.

Drawing and Dimensions - FC 314 T



Key	ΦA	B	C	D	E	G	ΦH	ΦI	kg
Value [mm]	600	510	38	400	360	307	220	12	16

Drawings are indicative of the size of the selected fan. These dimensions may vary, even without any explicit advice. To have more accurate information contact your local agency.

Electric Wire Connections

