

# AC axial fan



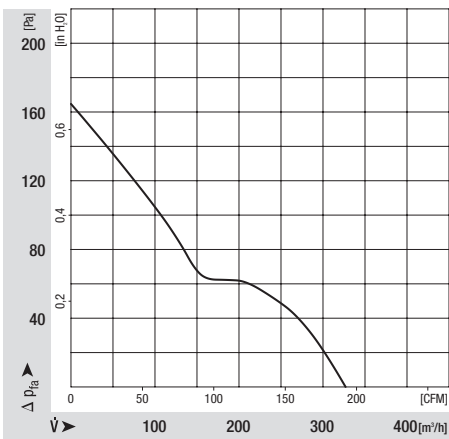
- **Impeller material:** Sheet steel (welded to the rotor and stove-enameled in black)
- **Housing material:** Die-cast aluminum
- **Bearings:** Ball bearings

## Nominal data

Type	Motor	Voltage 1 - VAC	Frequency Hz	Air flow m <sup>3</sup> /h	Speed 1/min	Power consumption W	Sound pressure level dB(A)	Operative range 50Hz Pa	Ambient temperature 50Hz °C	Weight kg
W2E142BB0501	M2E052BA	115	50	330	2800	25	52	0 .. 165	-25 .. 55	0.9

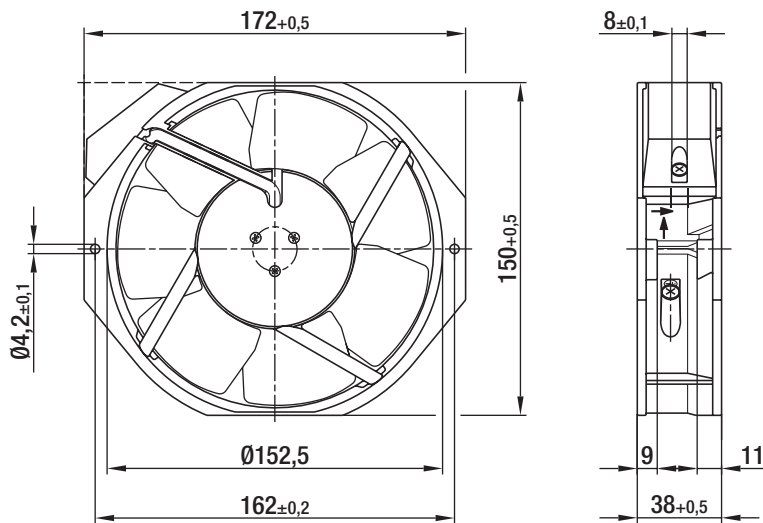
Subject to modification

## Characteristic: Pressure over air flow at 50Hz



# AC axial fan

## Specific drawing



## Technical description

- **Impeller material:** Sheet steel (welded to the rotor and stove-enameled in black)
- **Bearings:** Ball bearings
- **Direction of air flow:** "V", exhaust over braces
- **Operating mode:** S1
- **Protection class:** I
- **Housing material:** Die-cast aluminum
- **Direction of rotation:** Left, looking at rotor
- **Electrical connection:** Flat plugs 2.8 x 0.5 mm, built-in operating capacitor
- **Insulation class:** "B"
- **Approvals:** VDE, CSA, UL

## Contact

ebm-papst Mulfingen GmbH & Co. KG

Bachmühle 2

D-74673 Mulfingen

Phone +49 (0) 79 38 / 81-0

Fax +49 (0) 79 38 / 81-110

info1@de.ebmpapst.com

www.ebmpapst.com