

## Selection - PR-AC 634 T

Product Code	7PA6355
Requested Air Volume	17 313 m <sup>3</sup> /h
Requested Pressure	452 Pa
Air Volume	17 341 m <sup>3</sup> /h
Static Pressure	454 Pa
Total Pressure	600 Pa
Velocity Pressure	146 Pa
Outlet Velocity	15,45 m/s
SFP	0,71 W/l/s
Fan Total Efficiency	84,3 %
Fan Static Efficiency	63,8 %
Air Properties	1,22kg/m <sup>3</sup> / 15°C/ 0m/ 50% RH
Motor Input Power	3,43 kW
Temperature Range	-15°C +70°C

## Construction Settings

Arrangement	4
Discharge	LG-270
Motor Position	D

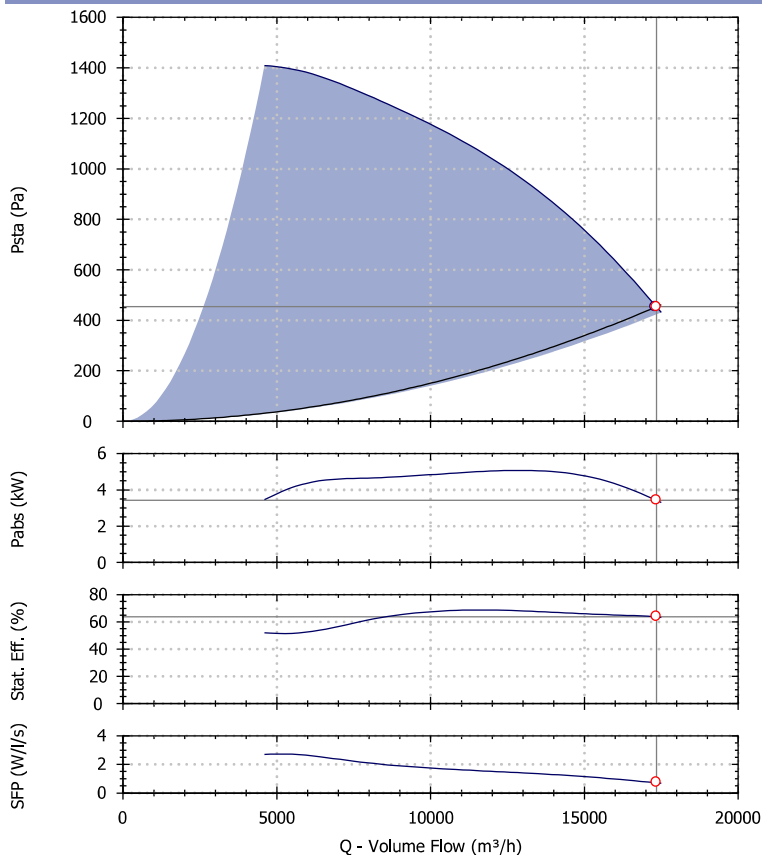
## Motor Selection

Electrical Supply	400/3/50
Motor Rating	5.50 kW
Enclosure/Class	55 / F
Poles number	4
Motor Speed	1440 rpm
Full Load Current	11.30 A

## ERP Information

ERP Compliance	Exempt
Type	
Regulation	-
Category of measure	-

## Fan Performance



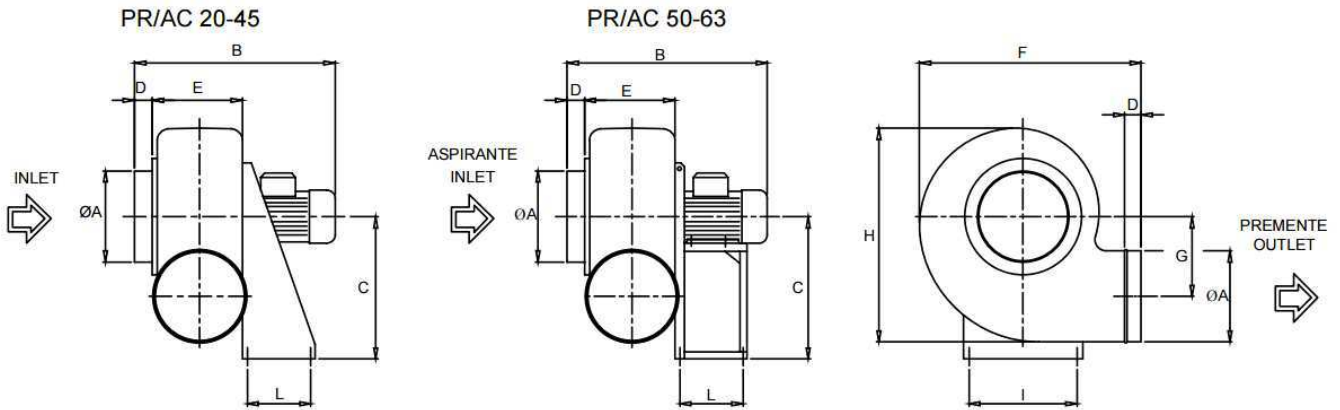
Performances refers to Maico Italia measures and may vary according to the installation type.

## Sound Performance

Hz	63	125	250	500	1k	2k	4k	8k	Overall
Lw	74	76	77	72	71	66	58	50	82
Lw(A)	48	60	68	69	71	67	59	49	75
LpA @ 3m	27	39	48	48	50	47	38	28	55

Sounds spectra refers to Maico Italia measures performed in our laboratories. The values provided are just indicative of the situation and Maico Italia declines every responsibility in case different levels measured by our customers as the installation types and the environmental variables may increase/decrease these values.

Drawing and Dimensions - PR-AC 634 T



Key	B	C	D	E	F	G	H	I	kg	L	M	N	O	OA
Value [mm]	810	800	50	408	1030	445	1200	337	175	237	640	-	170	500

Drawings are indicative of the size of the selected fan. These dimensions may vary, even without any explicit advice. To have more accurate information contact your local agency.

Electric Wire Connections

