

Selection - PR-AC 564 T

Product Code	7PA5665
Requested Air Volume	12 414 m ³ /h
Requested Pressure	346 Pa
Air Volume	12 424 m ³ /h
Static Pressure	346 Pa
Total Pressure	466 Pa
Velocity Pressure	120 Pa
Outlet Velocity	14,01 m/s
SFP	0,62 W/l/s
Fan Total Efficiency	74,6 %
Fan Static Efficiency	55,4 %
Air Properties	1,22kg/m ³ / 15°C/ 0m/ 50% RH
Motor Input Power	2,16 kW
Temperature Range	-15°C +70°C

Construction Settings

Arrangement	4
Discharge	LG-270
Motor Position	D

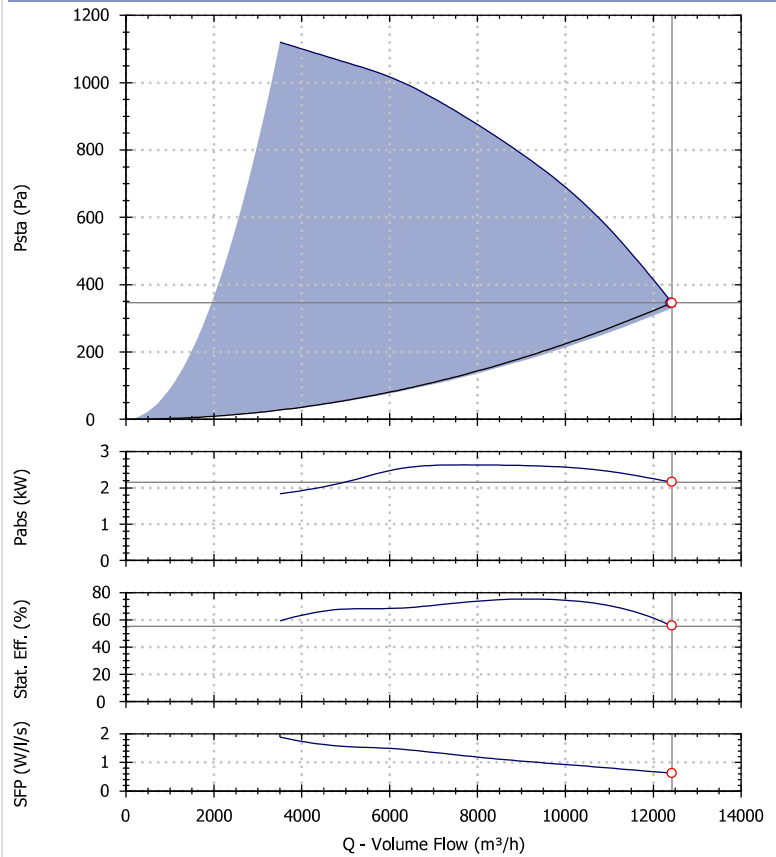
Motor Selection

Electrical Supply	400/3/50
Motor Rating	4.00 kW
Enclosure/Class	55 / F
Poles number	4
Motor Speed	1430 rpm
Full Load Current	8.50 A

ERP Information

ERP Compliance	Exempt
Type	-
Regulation	-
Category of measure	-

Fan Performance



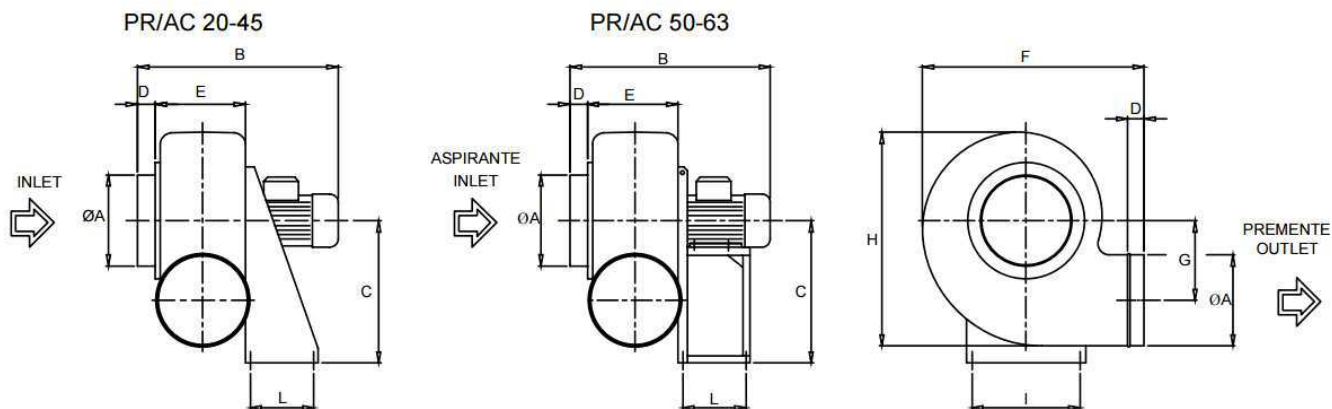
Performances refers to Maico Italia measures and may vary according to the installation type.

Sound Performance

Hz	63	125	250	500	1k	2k	4k	8k	Overall
Lw	74	76	77	72	71	66	58	50	82
Lw(A)	48	60	68	69	71	67	59	49	75
LpA @ 3m	27	39	48	48	50	47	38	28	55

Sounds spectra refers to Maico Italia measures performed in our laboratories. The values provided are just indicative of the situation and Maico Italia declines every responsibility in case different levels measured by our customers as the installation types and the environmental variables may increase/decrease these values.

Drawing and Dimensions - PR-AC 564 T



Key	B	C	D	E	F	G	H	I	kg	L	M	N	O	OA
Value [mm]	725	710	50	365	870	410	1045	289	130	237	590	-	170	450

Drawings are indicative of the size of the selected fan. These dimensions may vary, even without any explicit advice. To have more accurate information contact your local agency.

Electric Wire Connections

